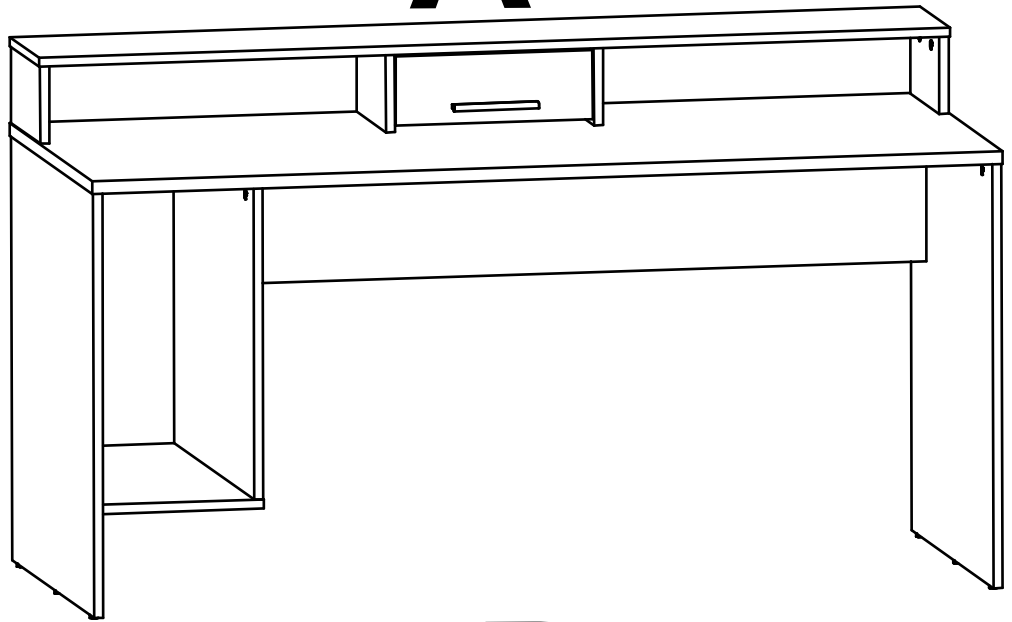
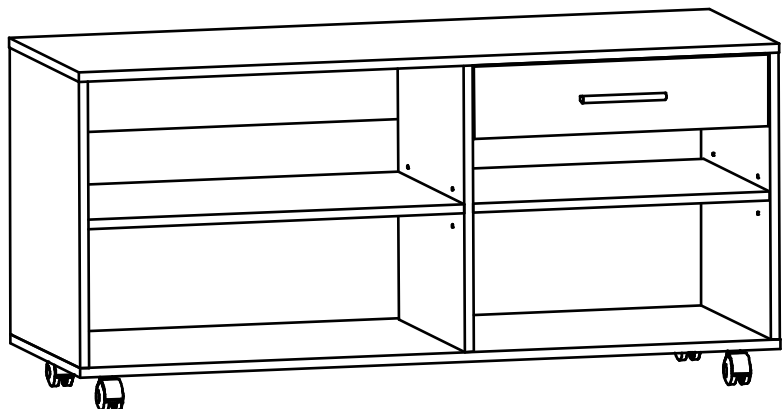
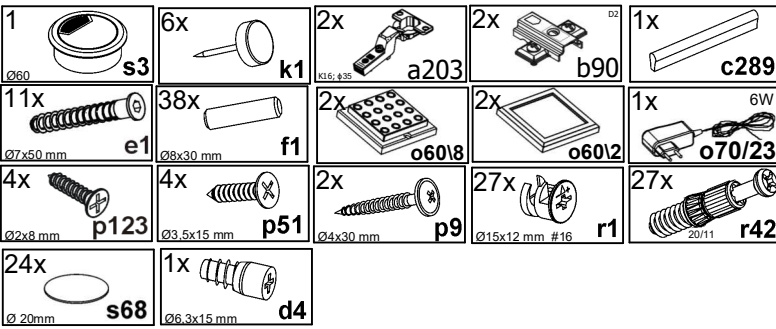
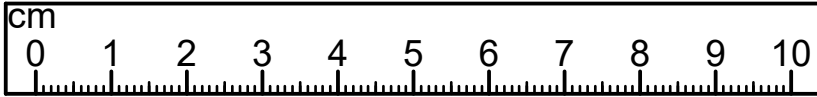


A

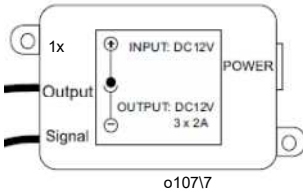
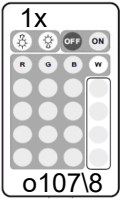


B

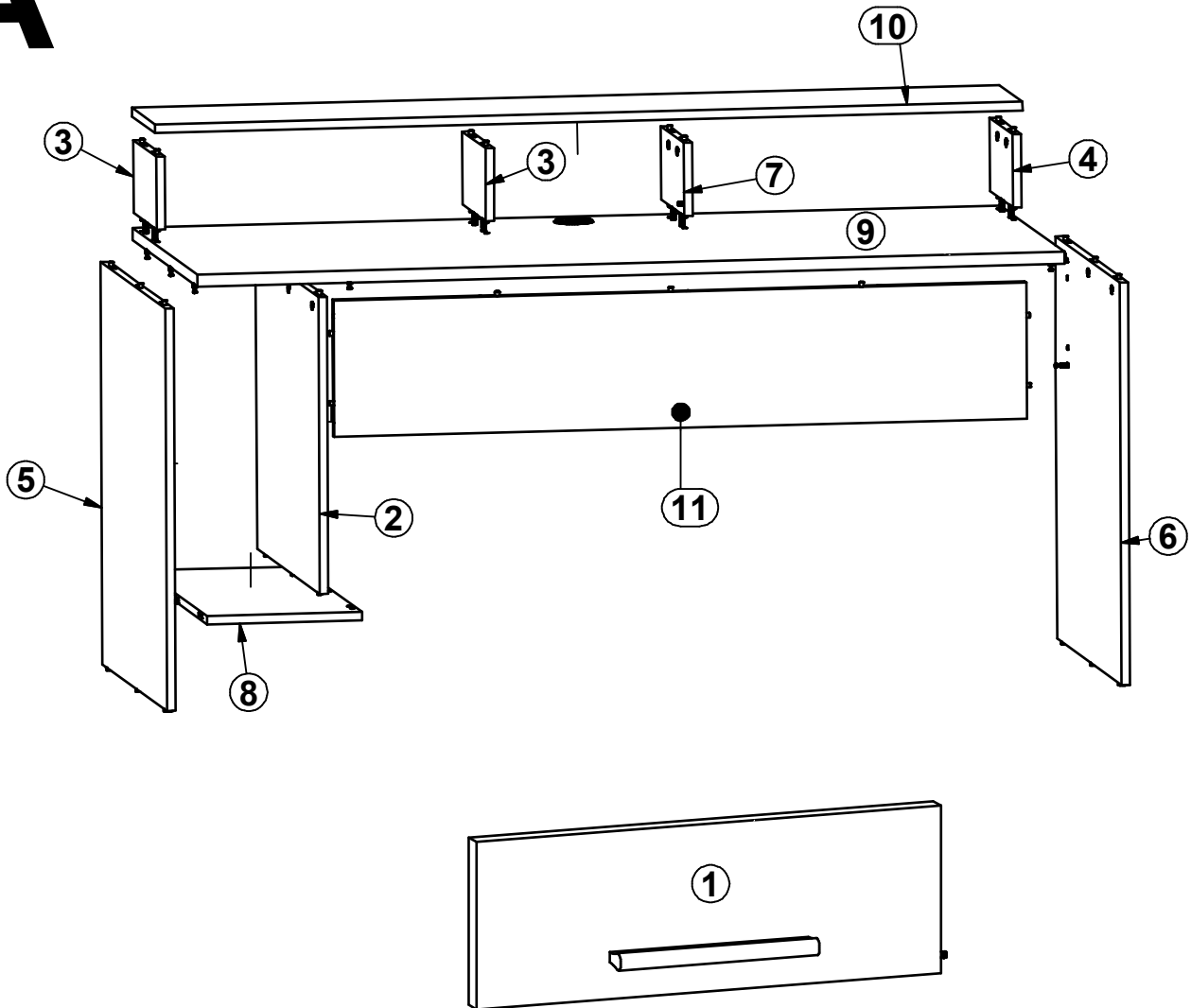




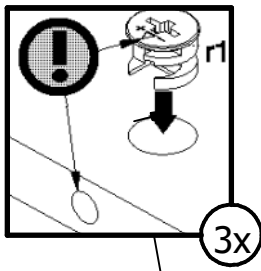
A	B	C1	C2	C3	D
1	S539-0001	346	120	16	3/4
2	S539-1001	544	677	16	3/4
3	S539-1002	134	248	16	3/4
4	S539-1004	134	248	16	3/4
5	S539-1005	738	696	16	3/4
6	S539-1006	738	696	16	3/4
7	S539-1010	134	248	16	3/4
8	S539-2001	286	678	16	3/4
9	S539-2002	1600	700	22	4/4
10	S539-2003	1600	250	16	4/4
11	S539-4501	1278	250	16	4/4



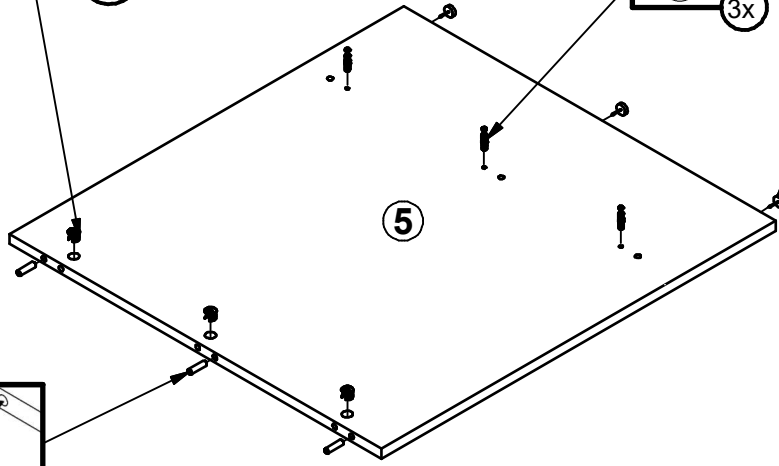
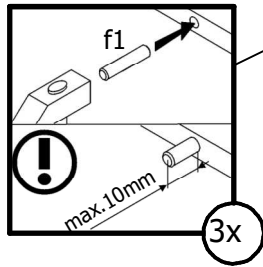
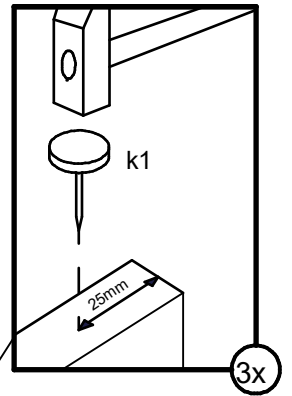
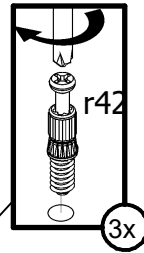
A



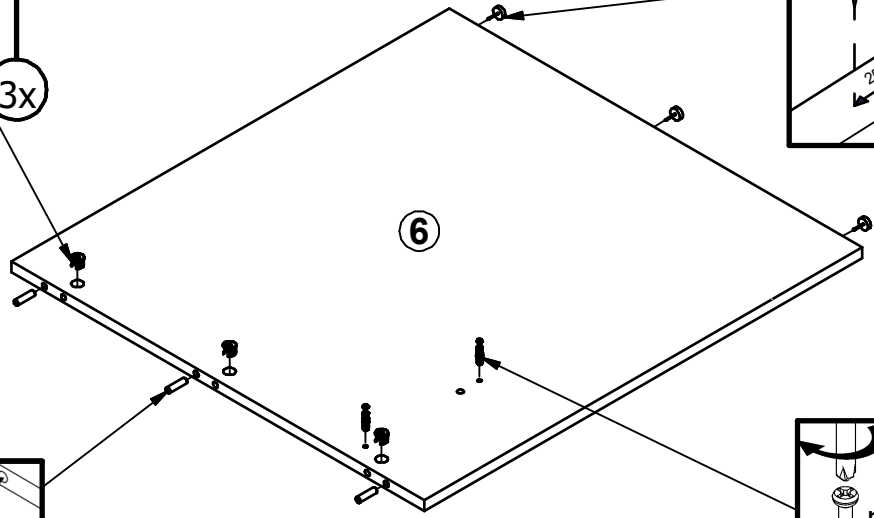
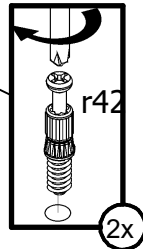
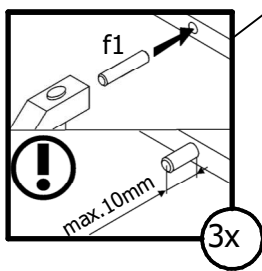
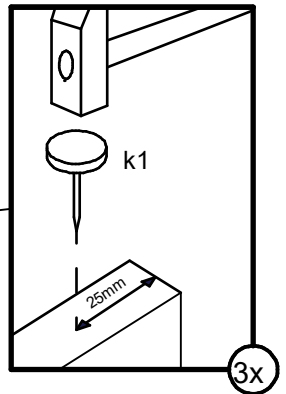
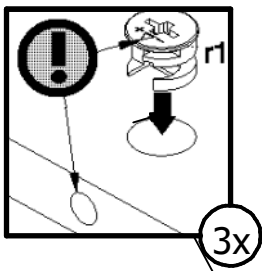
1



A

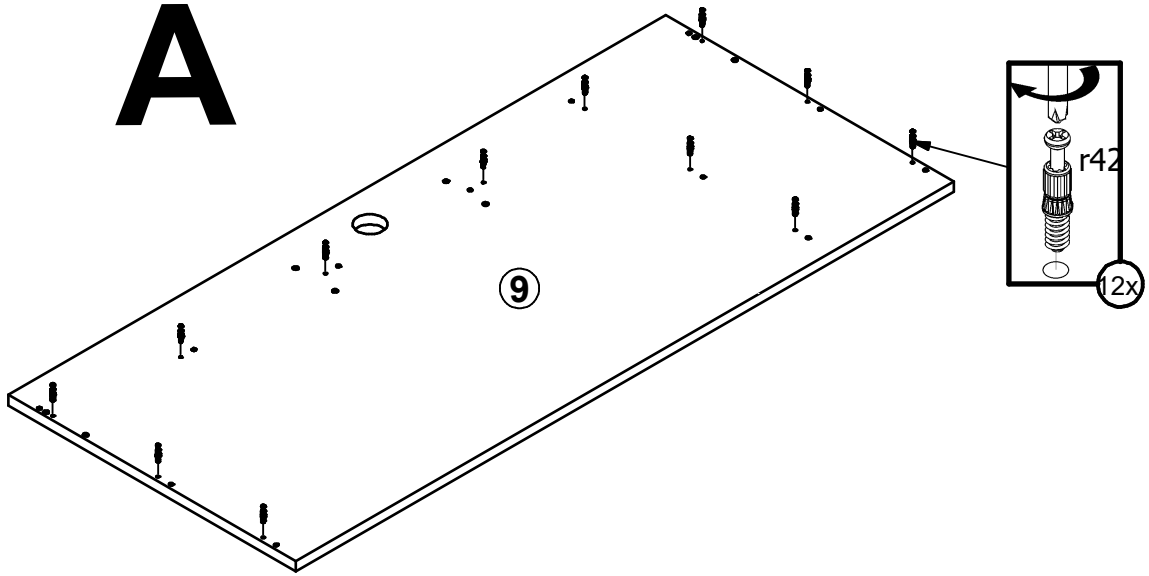


2

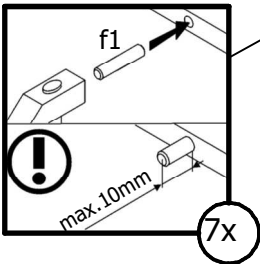
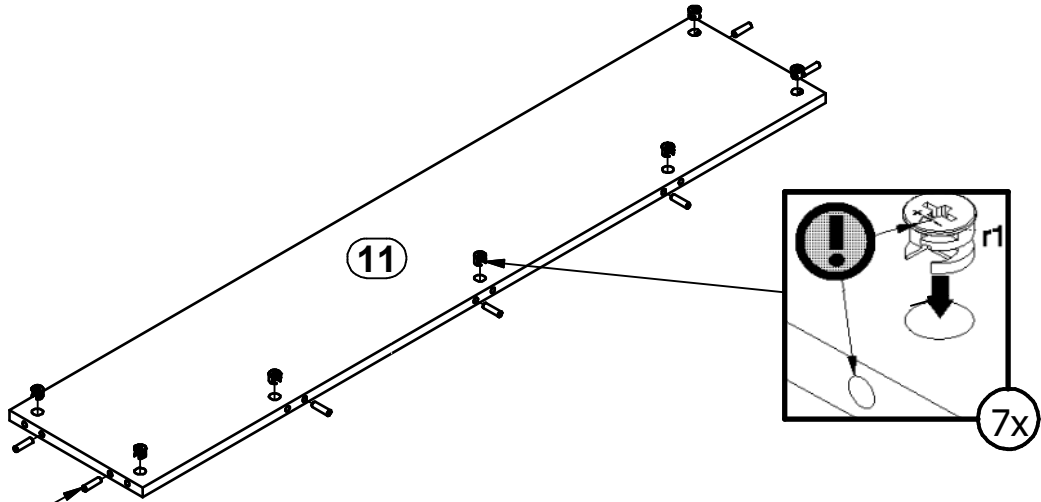


3

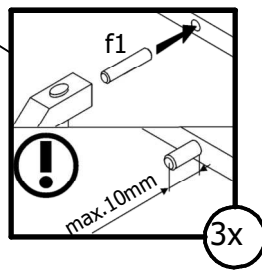
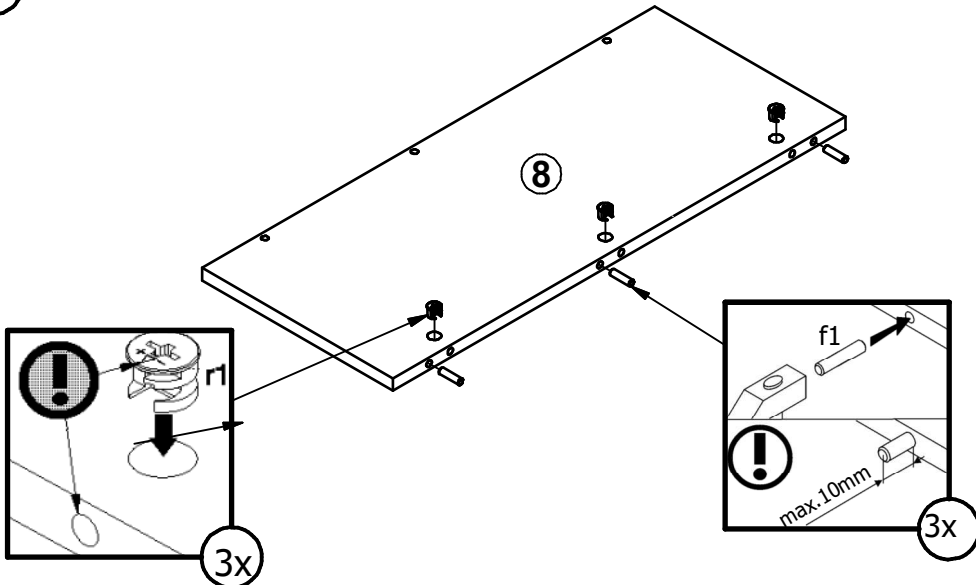
A



4



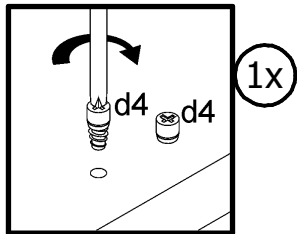
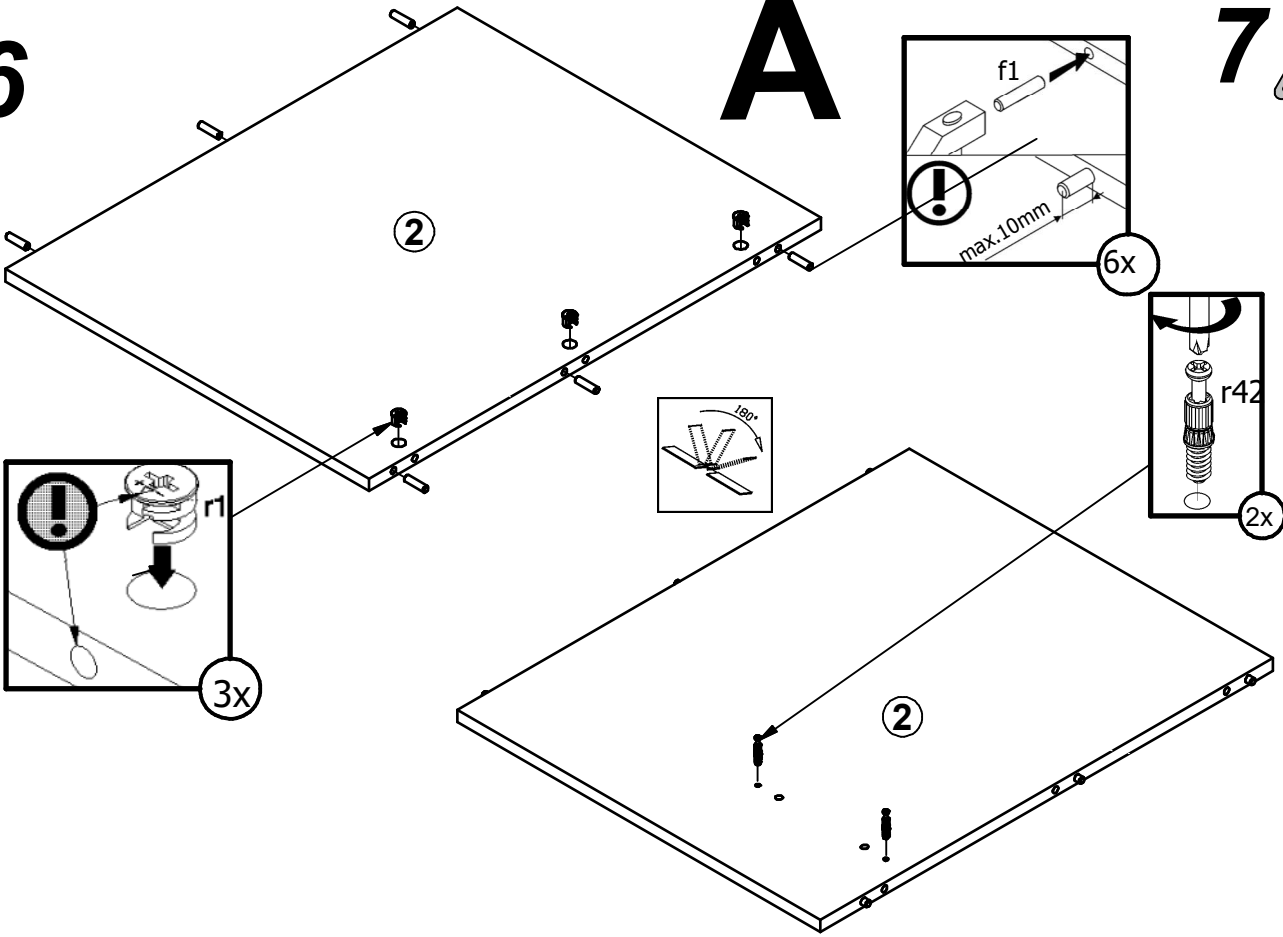
5



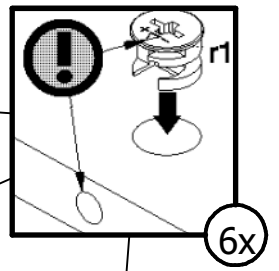
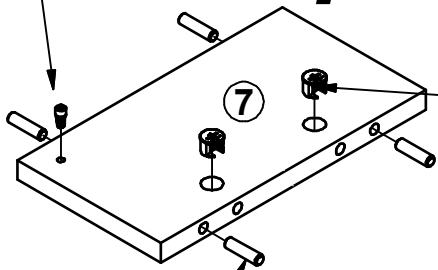
6

A

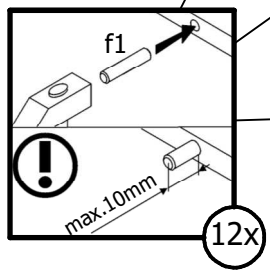
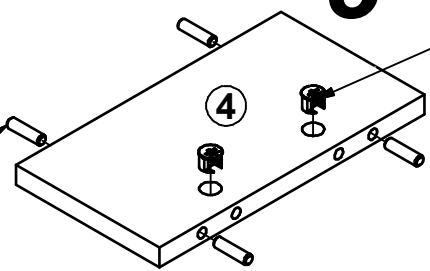
7



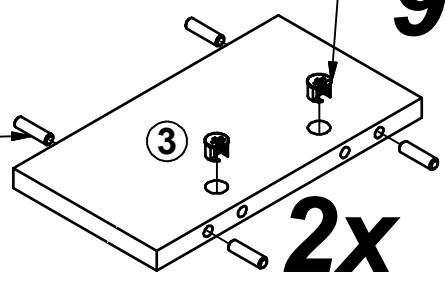
7



8

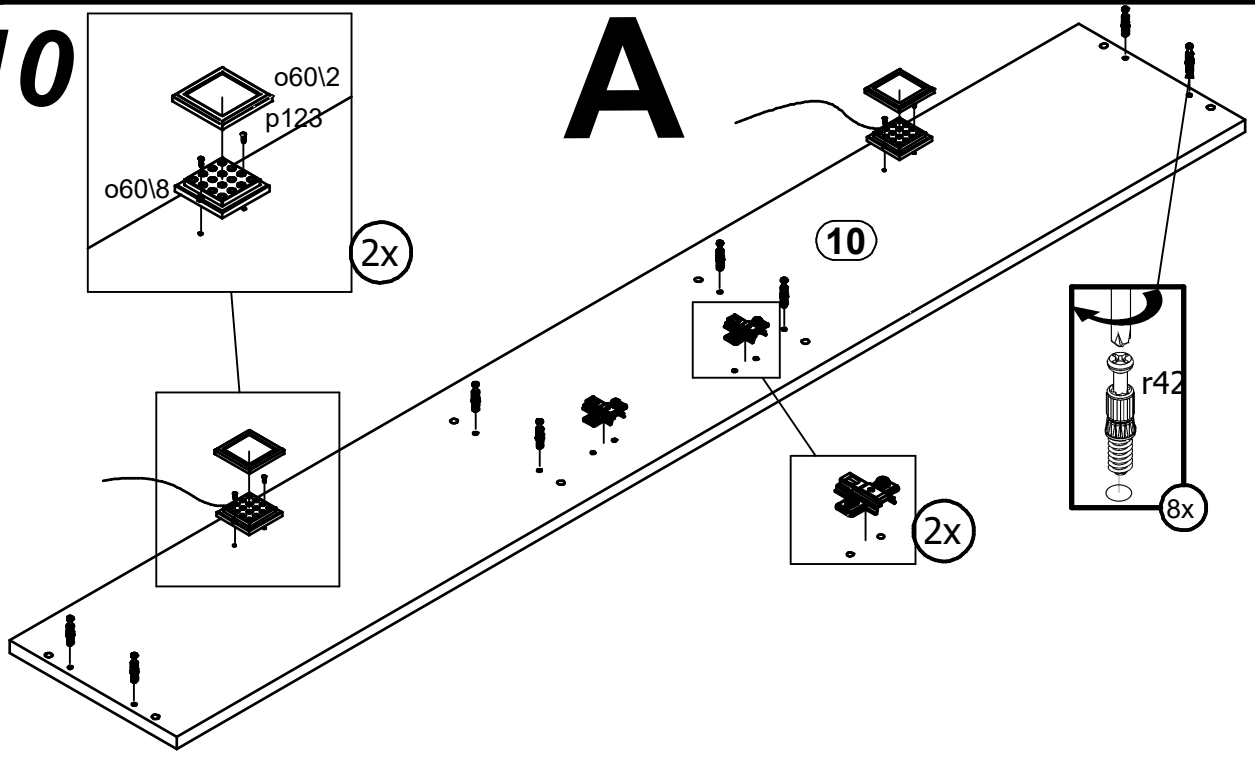


9

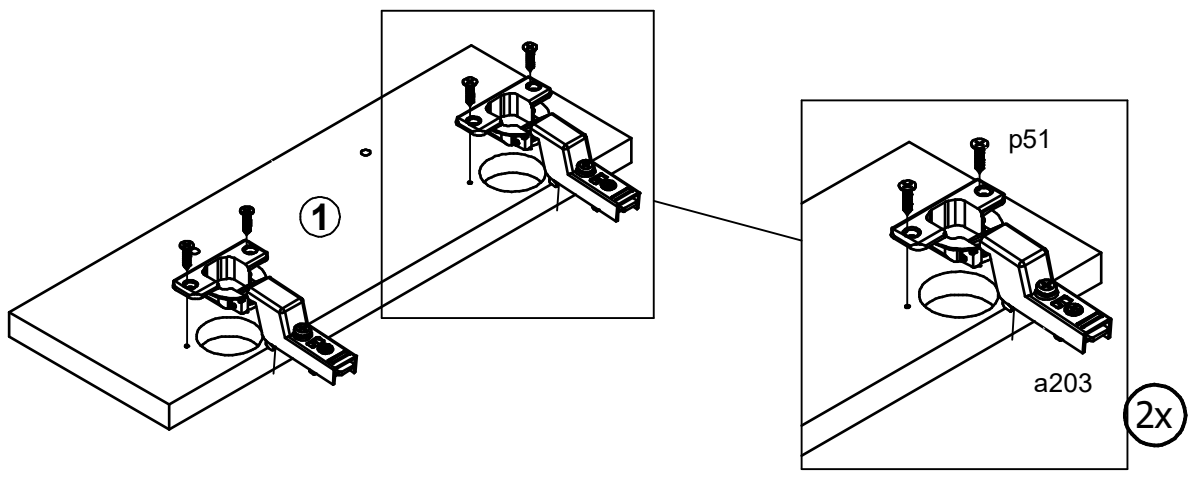


10

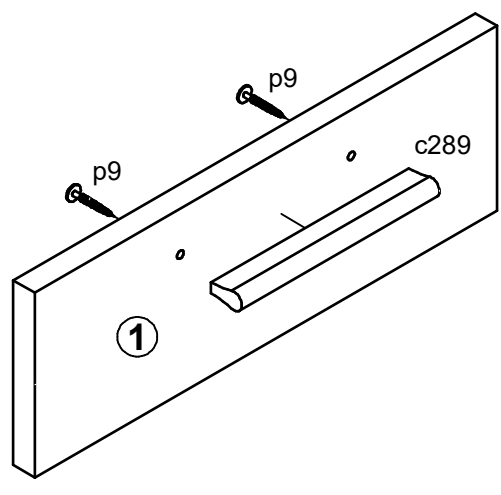
A



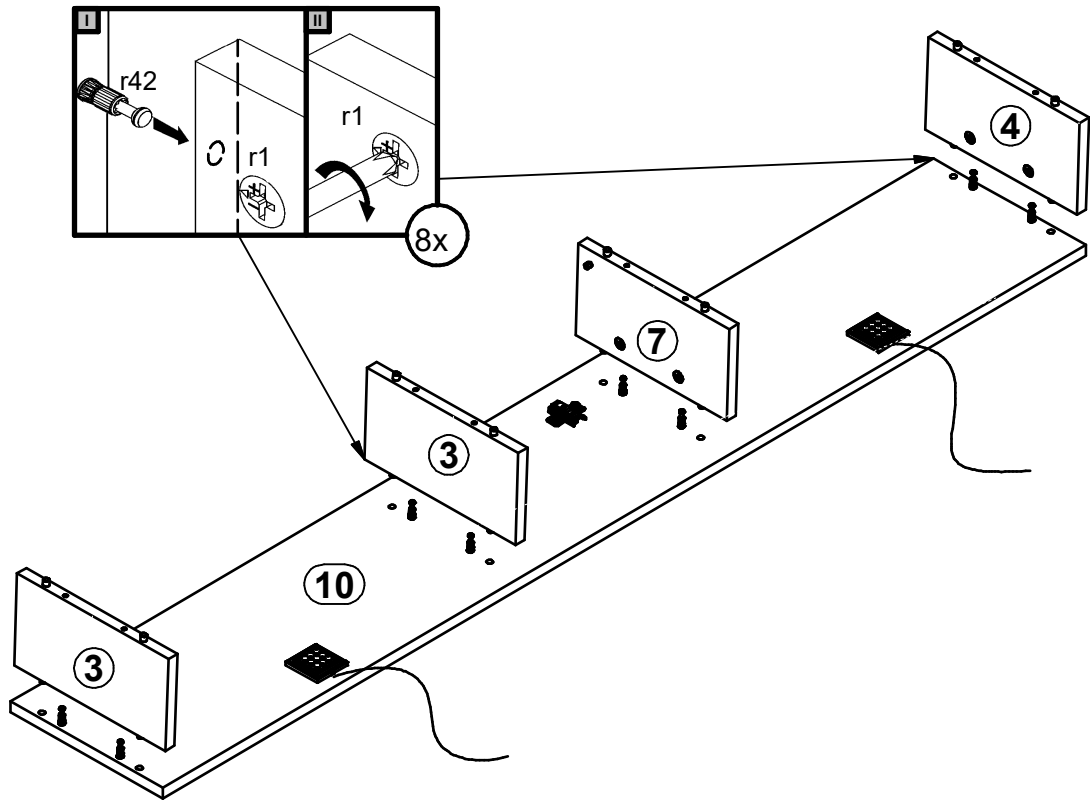
11



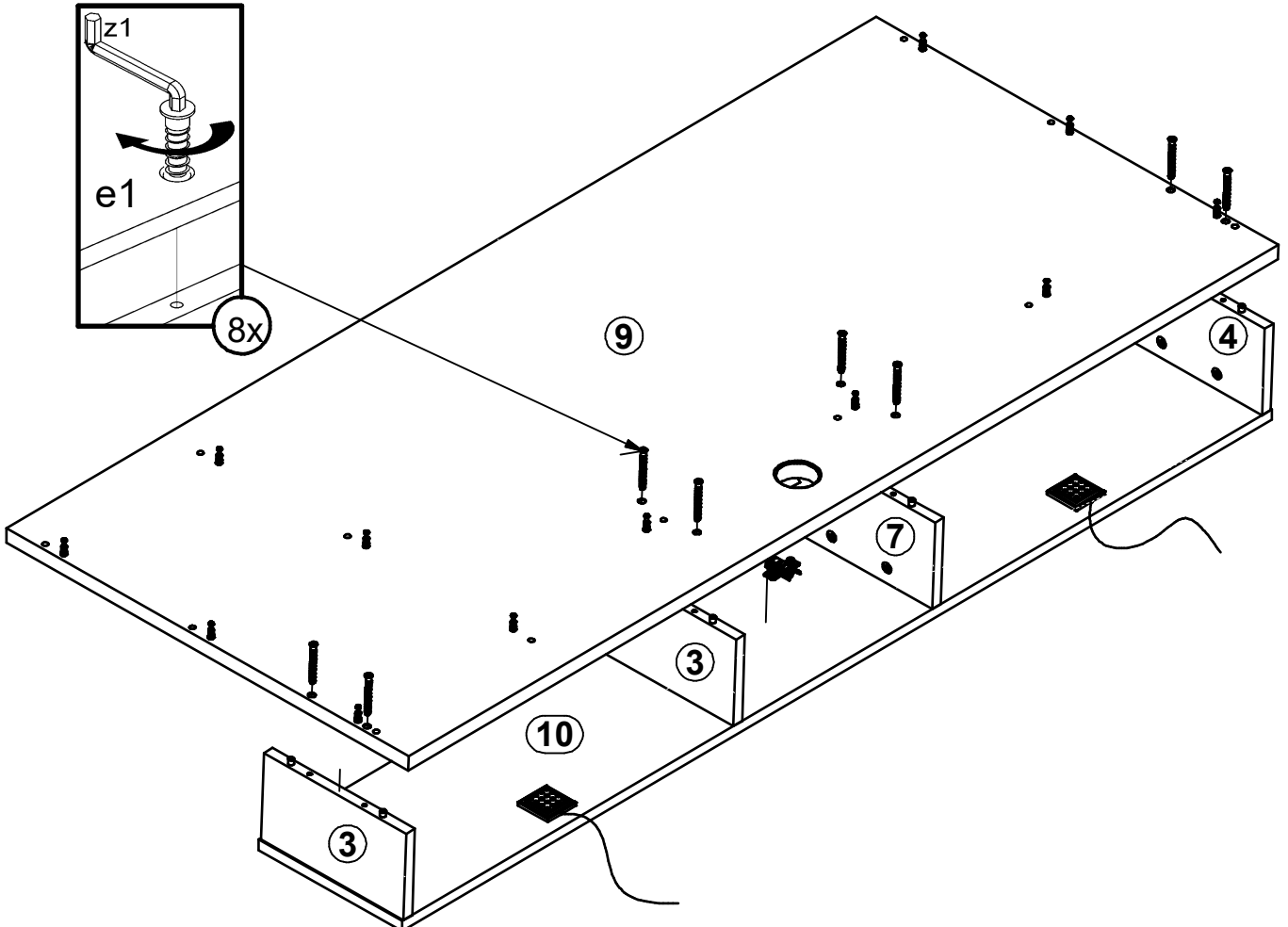
12



13

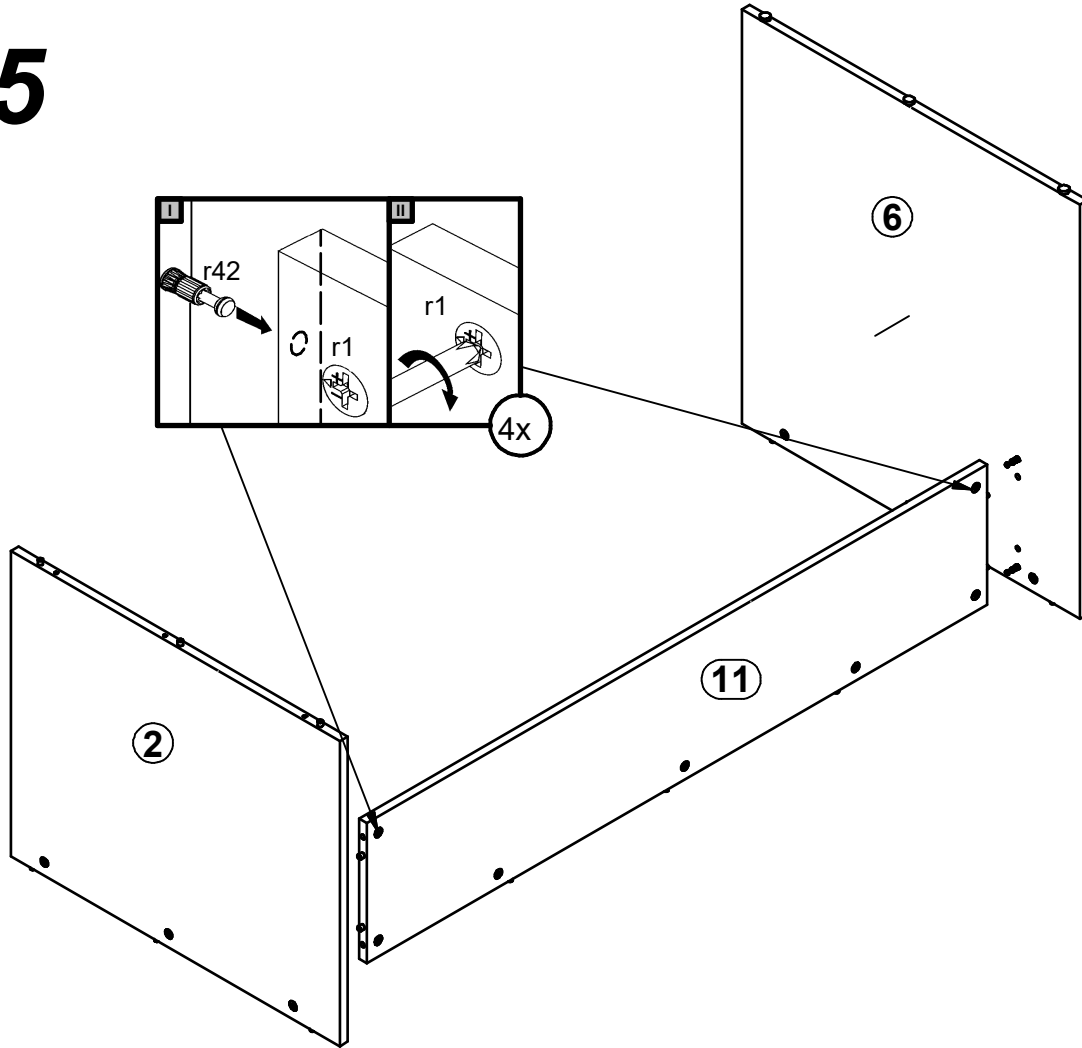


14

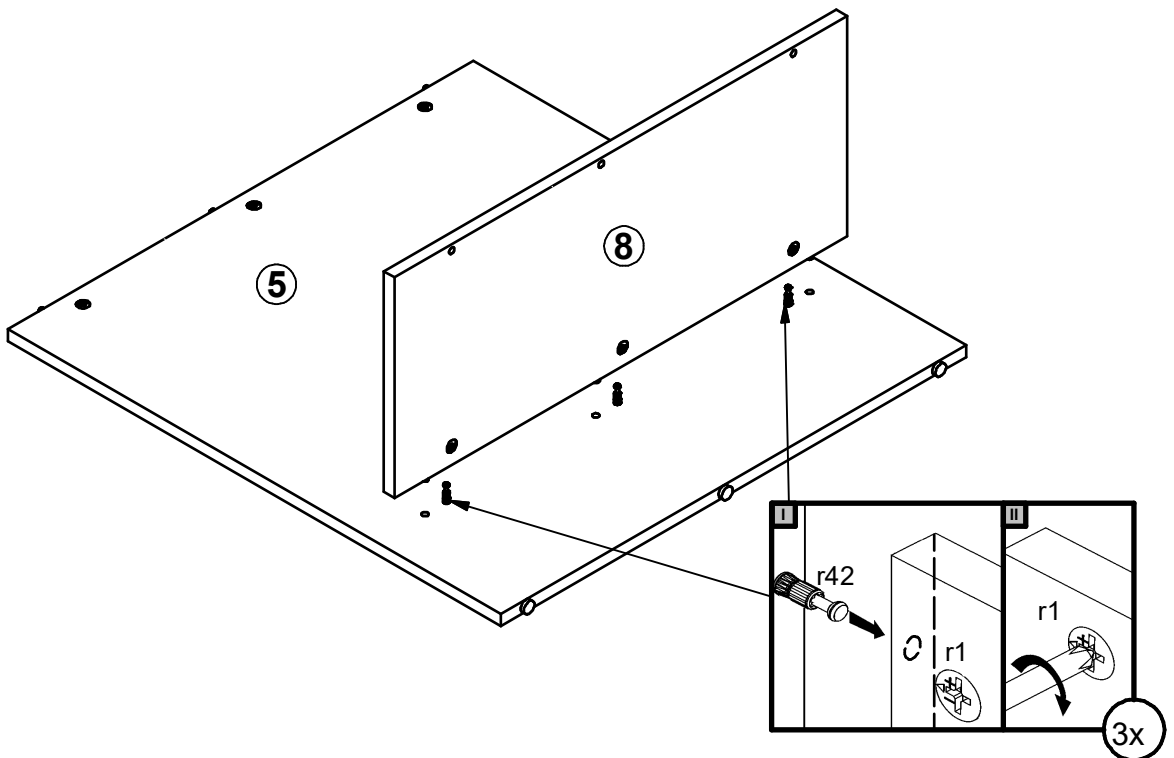


15

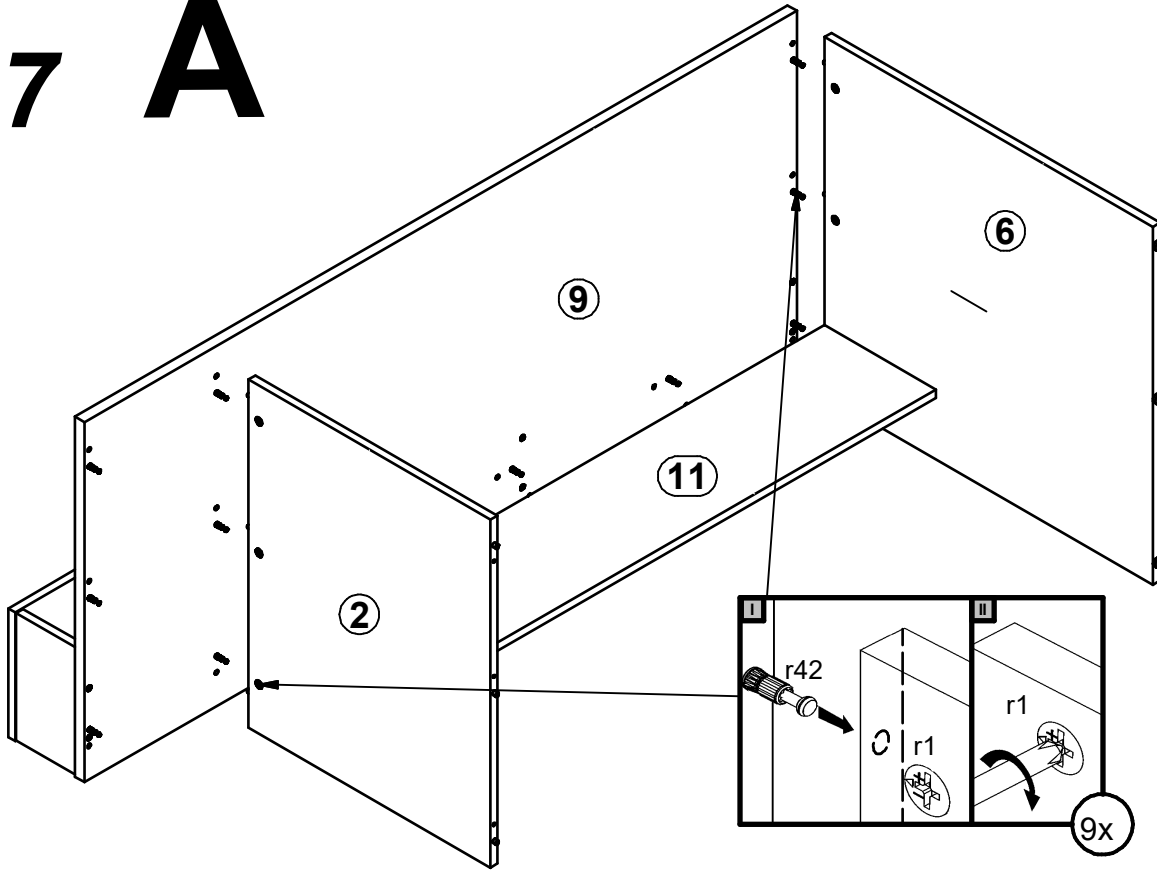
A



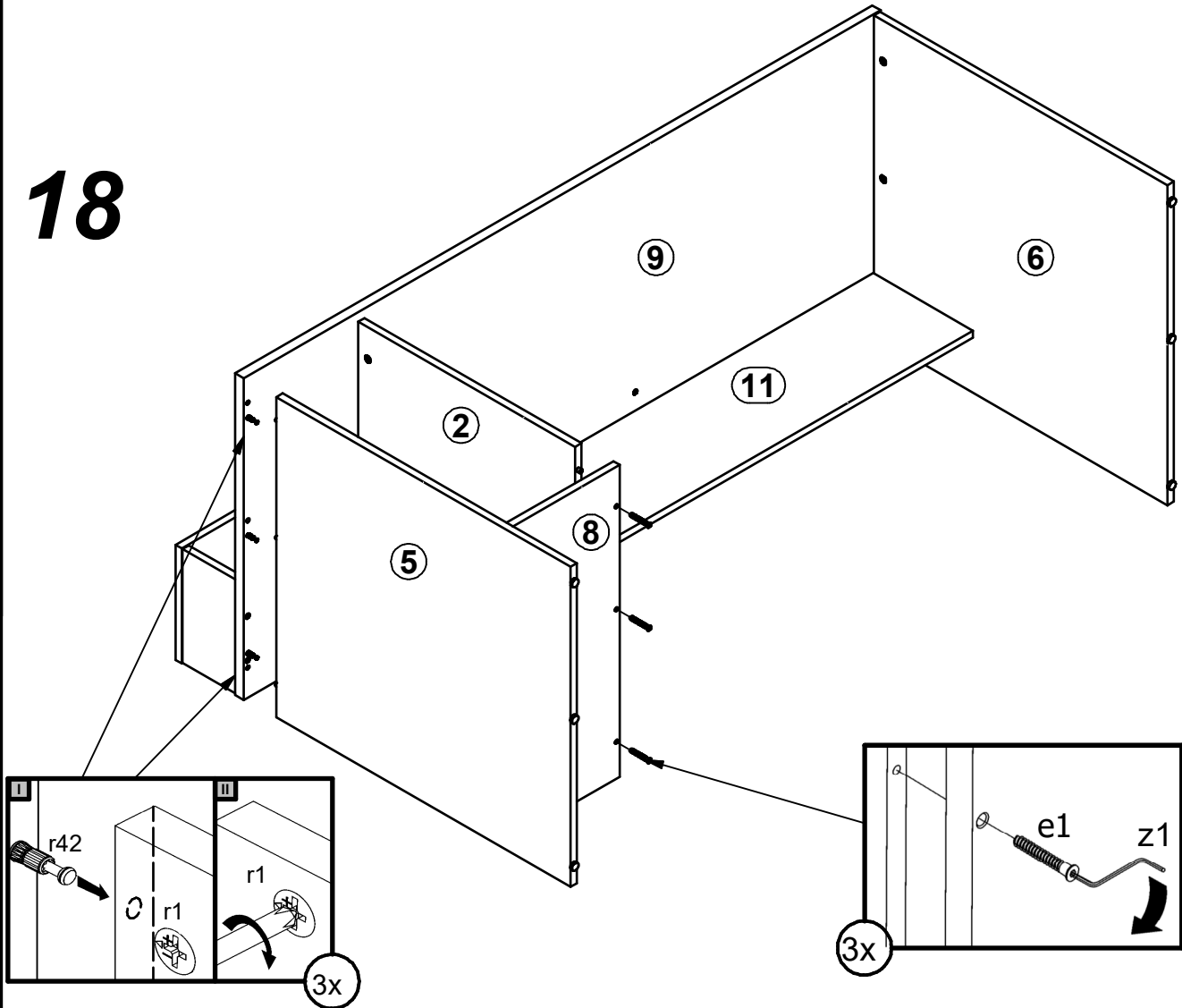
16

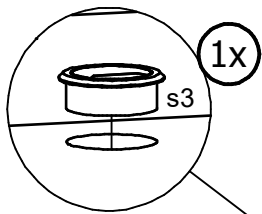


17 A

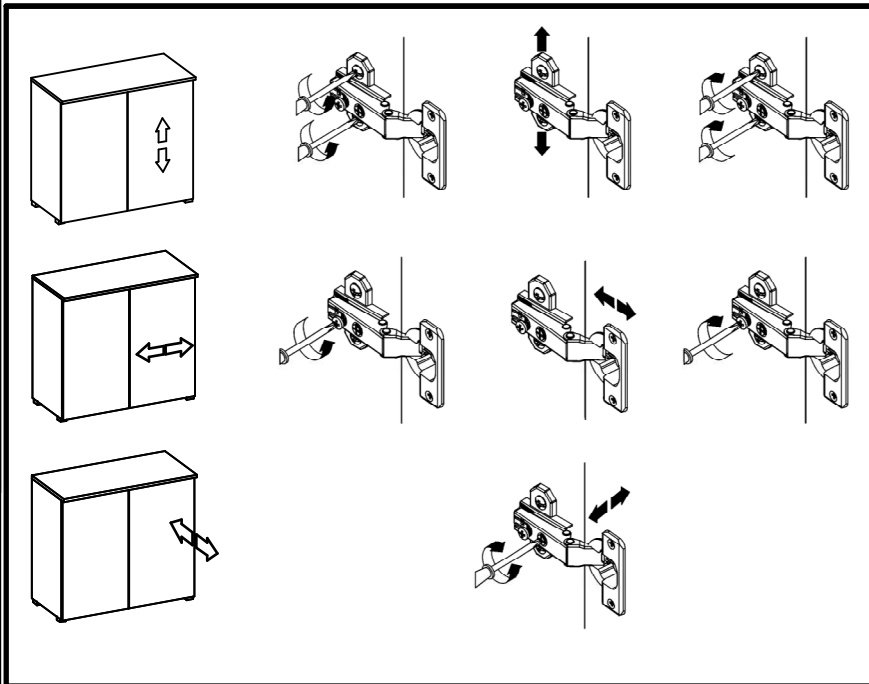
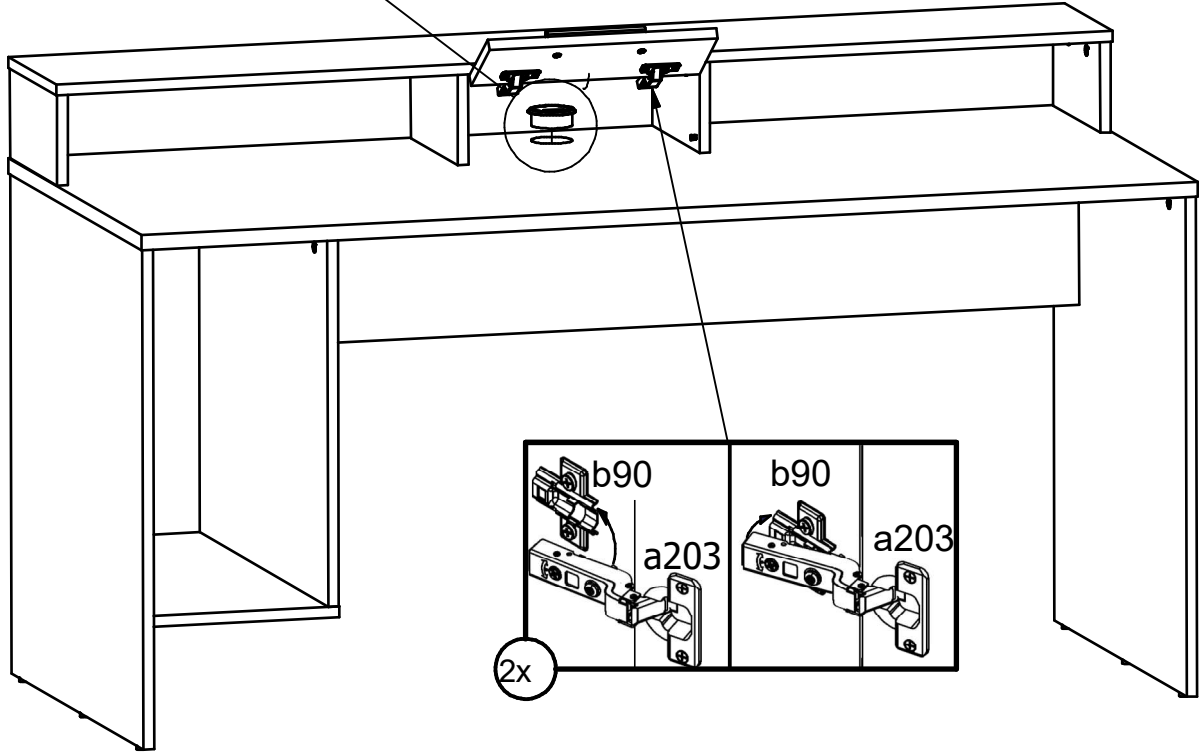


18

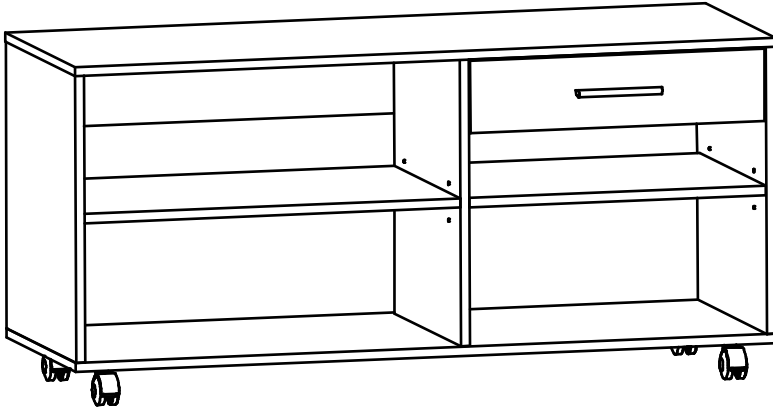




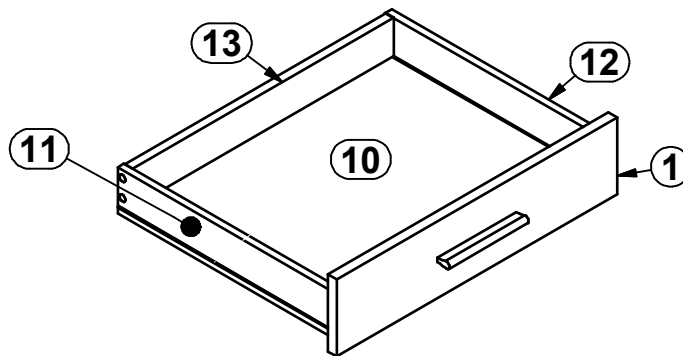
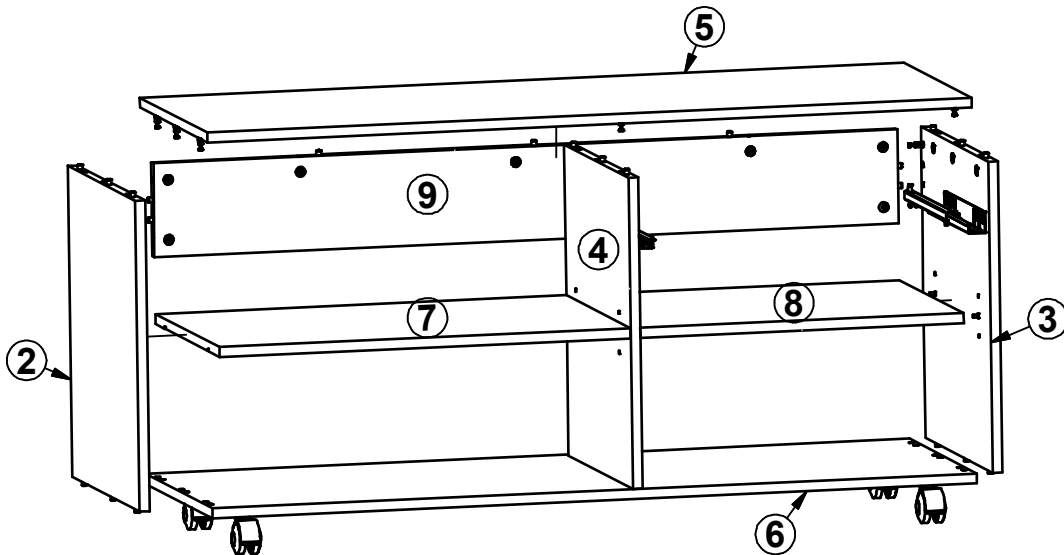
A



B



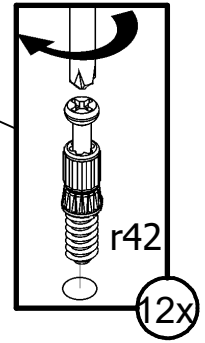
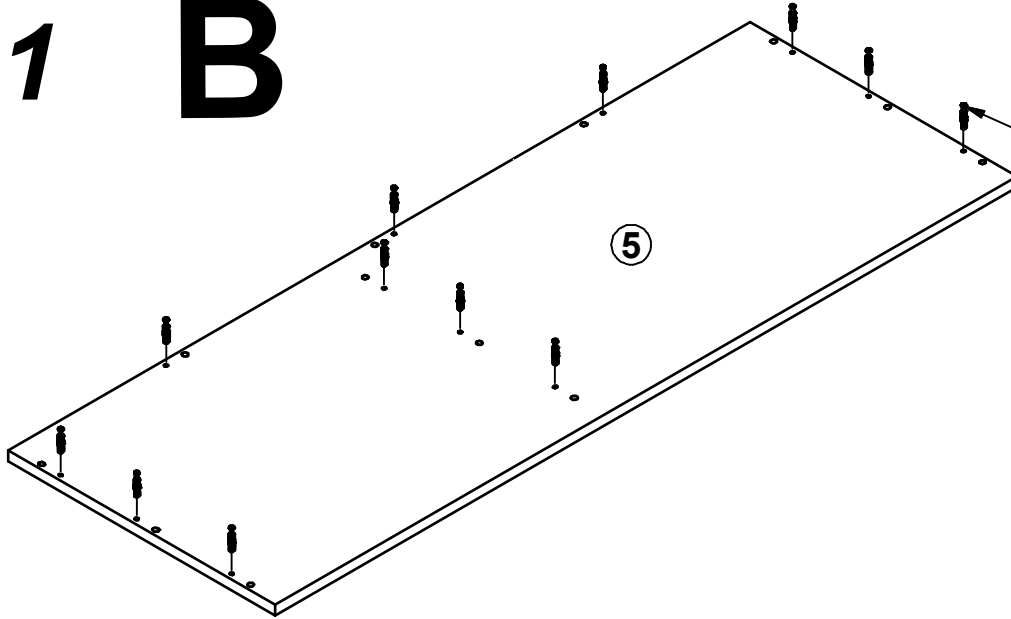
A	B	C1	C2	C3	D
1	S539-0002	525	125	16	1/4
2	S539-1007	498	449	16	1/4
3	S539-1008	498	449	16	1/4
4	S539-1009	498	428	16	1/4
5	S539-2004	1250	450	16	2/4
6	S539-2005	1250	450	16	2/4
7	S539-3001	672	428	16	1/4
8	S539-3002	529	428	16	1/4
9	S539-4502	1217	150	16	2/4
10	WSP-9410	499	408	2,5	1/4
11	ZQ6-529	400	75	12	1/4
12	ZQ6-530	400	75	12	1/4
13	ZQ6-5170	489	62	15	1/4



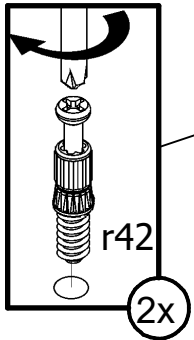
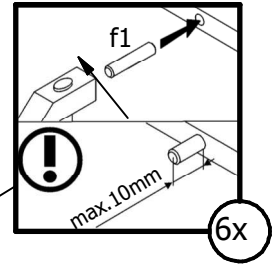
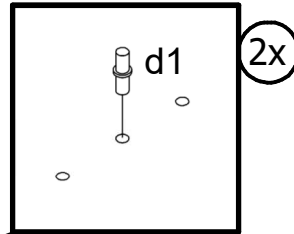
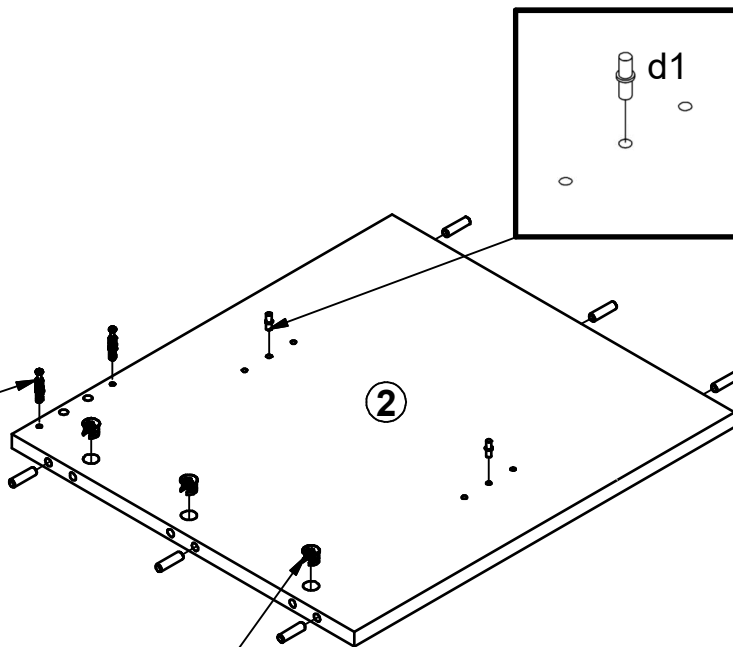
4x Ø6x13 mm e3	4x k13	16x Ø3,5x13 mm p27	9x Ø7x60 mm e8	4x Ø12x10,5 mm #12 r15
20x 20/11 r42	16x Ø15x12 mm #16 r1	25x Ø8x30 mm f1	8x Ø5x17 mm d1	7x Ø 20mm s68
2x Ø4x30 mm p9	1x c289	1x 400 mm w184P	1x 400 mm w184L	4x Ø2,9x16 mm p55
			1x 4 mm z1	4x Ø6,5x40 mm f25

1

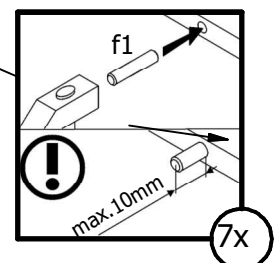
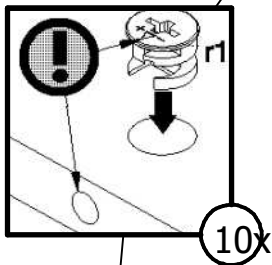
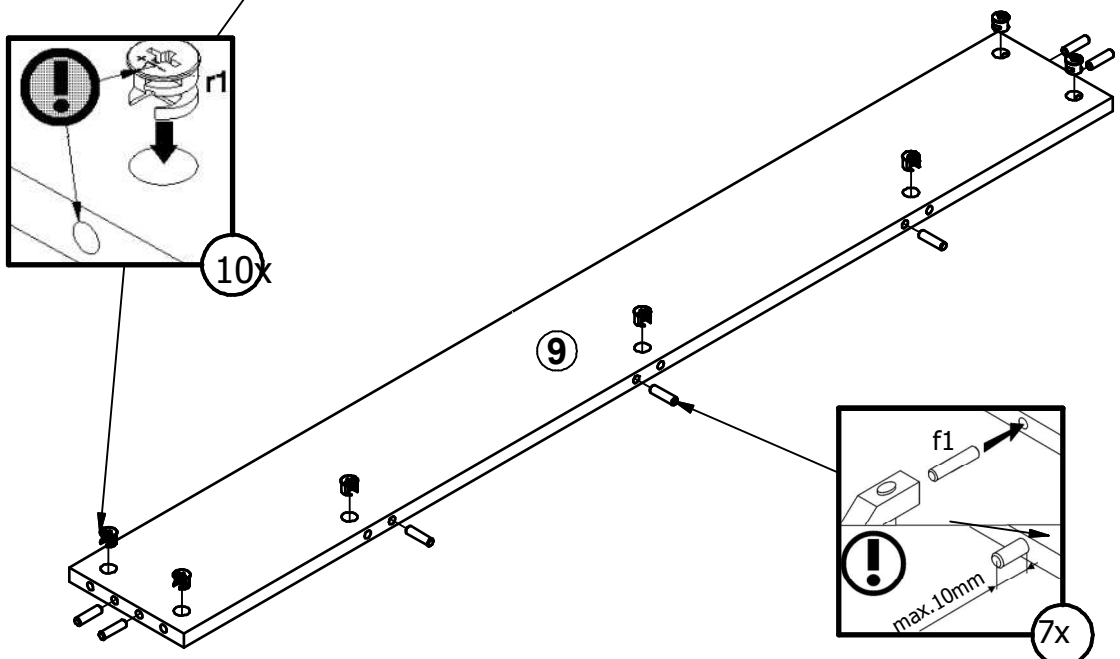
B



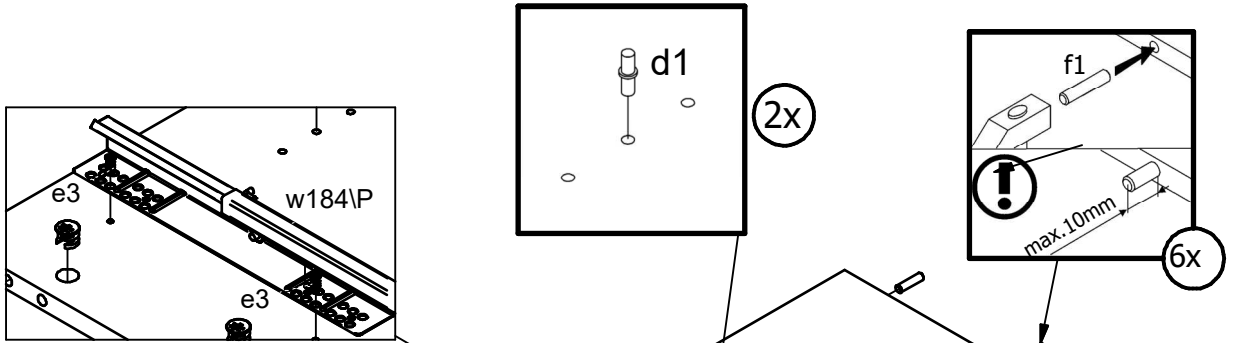
2



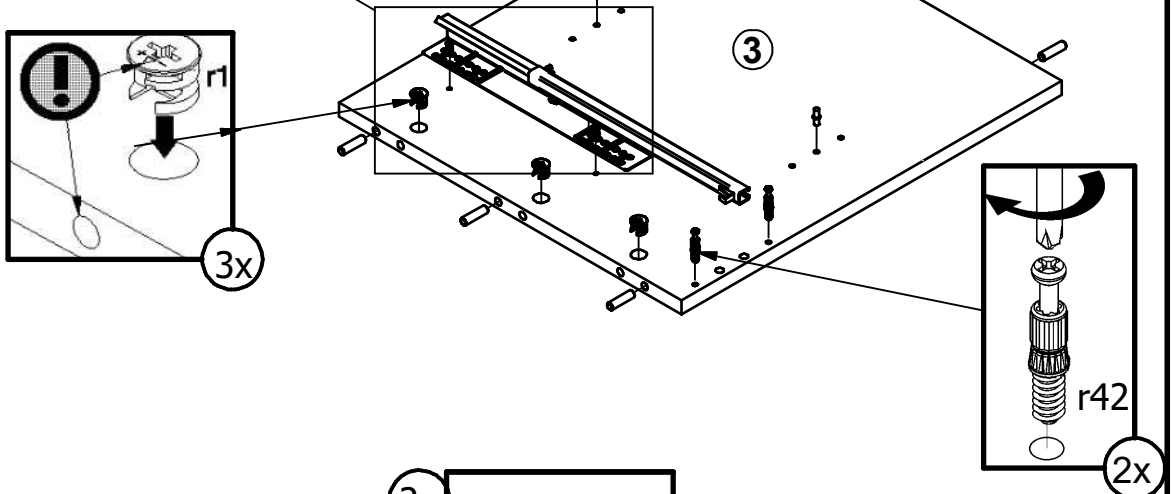
3



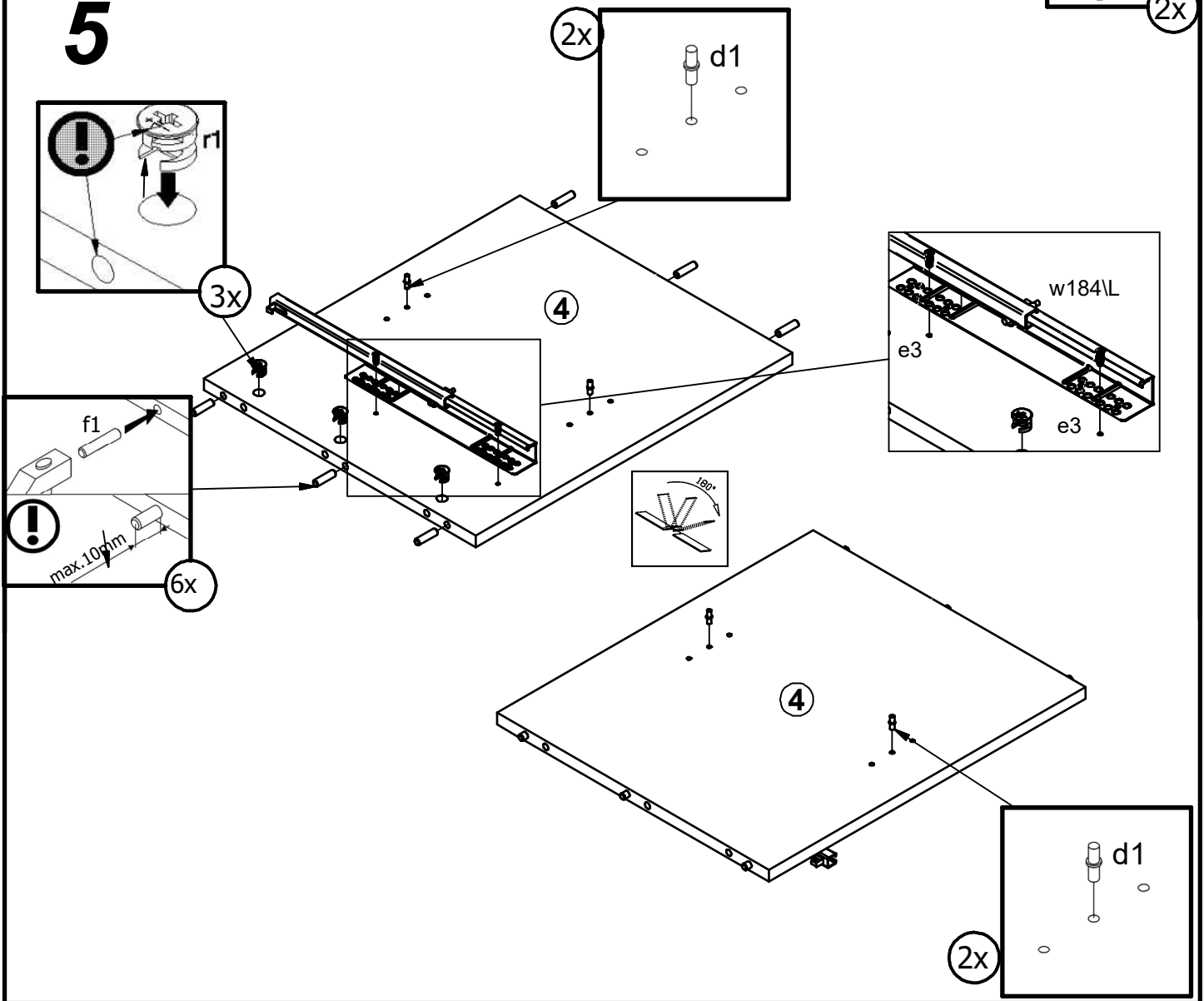
4



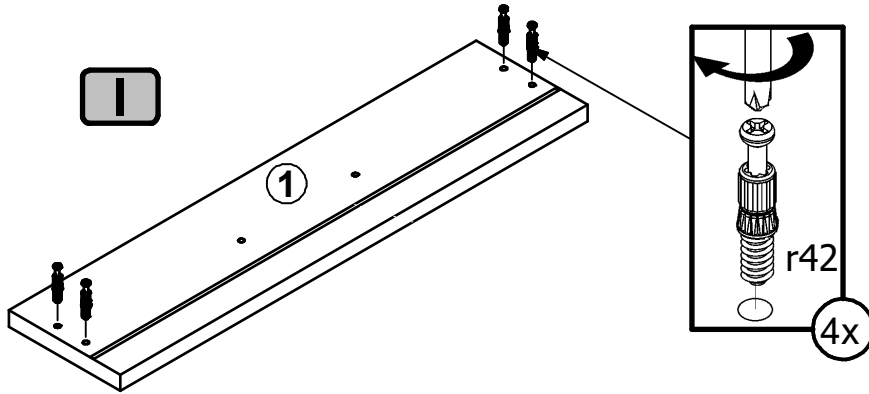
B



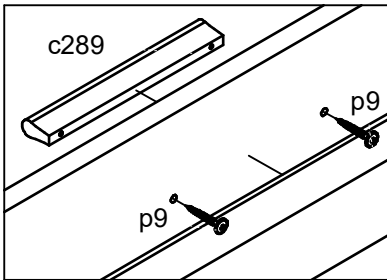
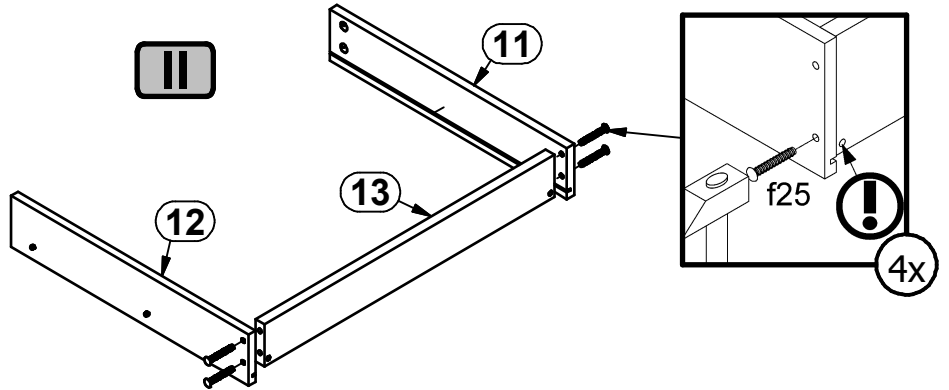
5



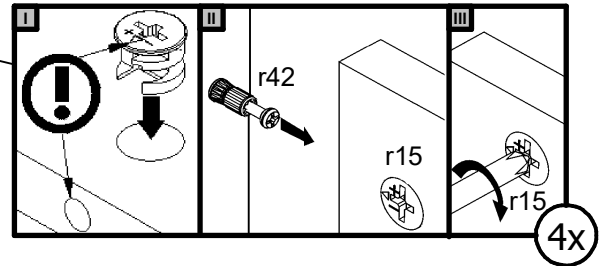
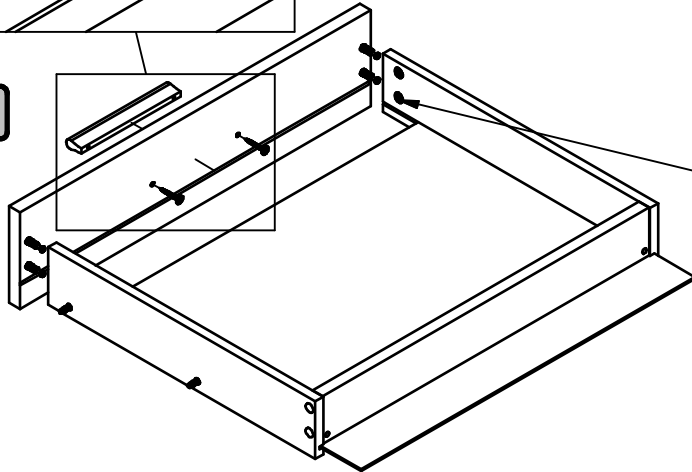
6



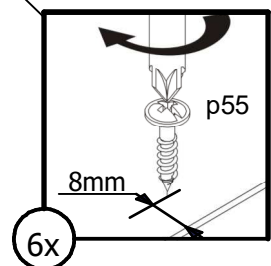
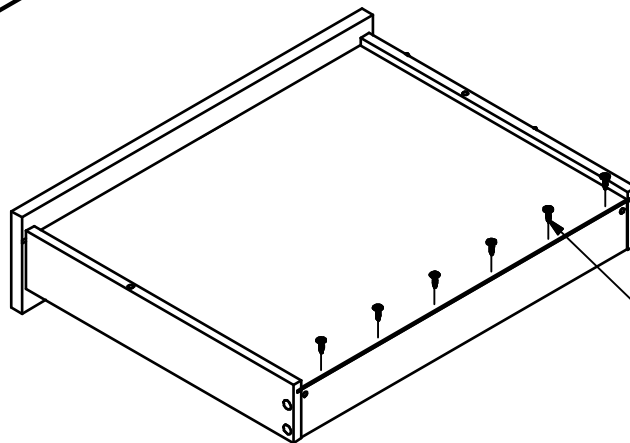
B



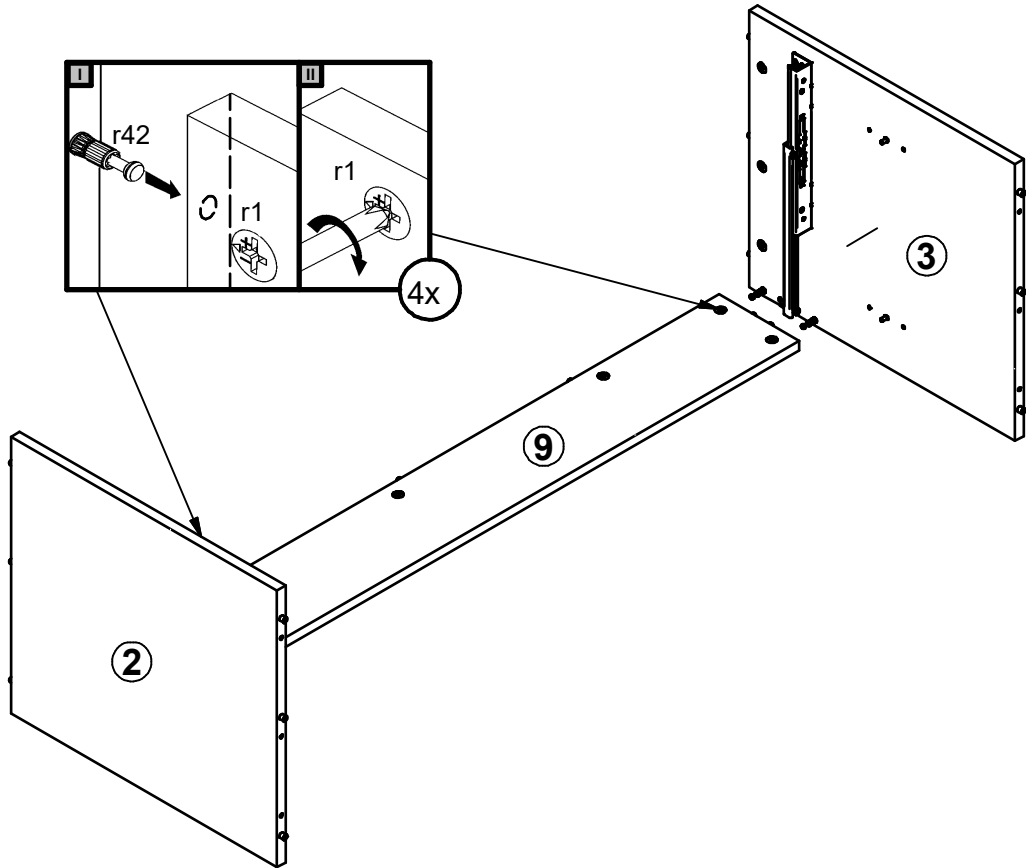
III



IV

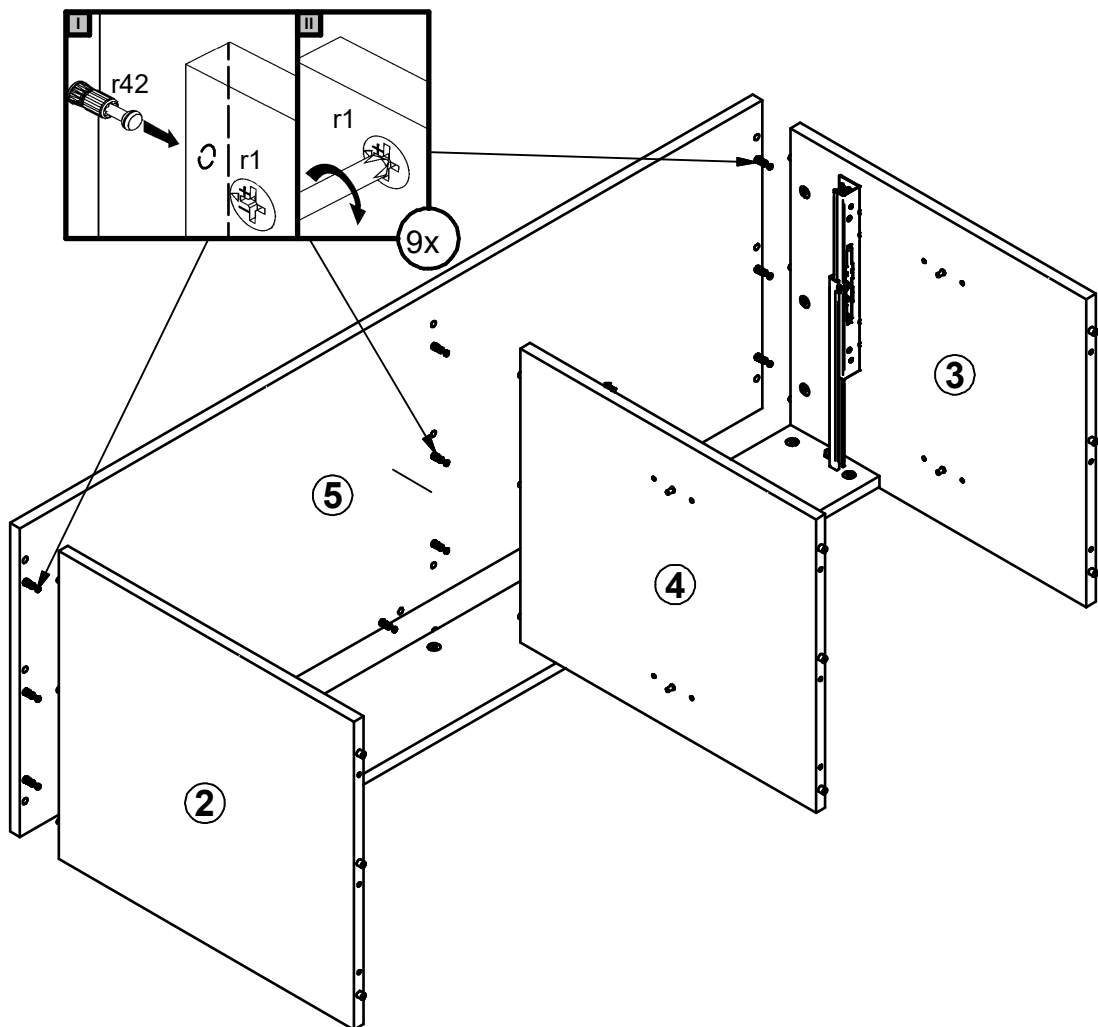


7



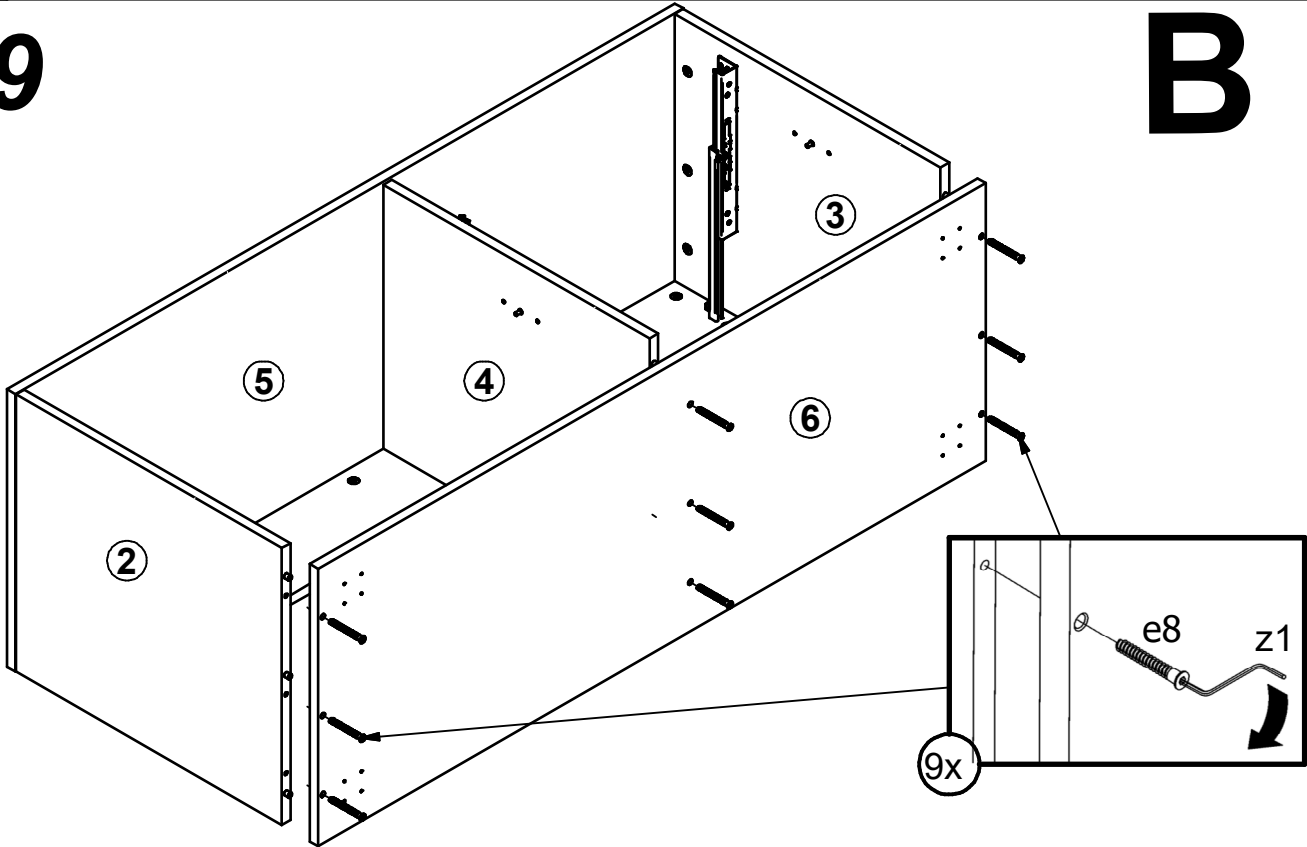
B

8

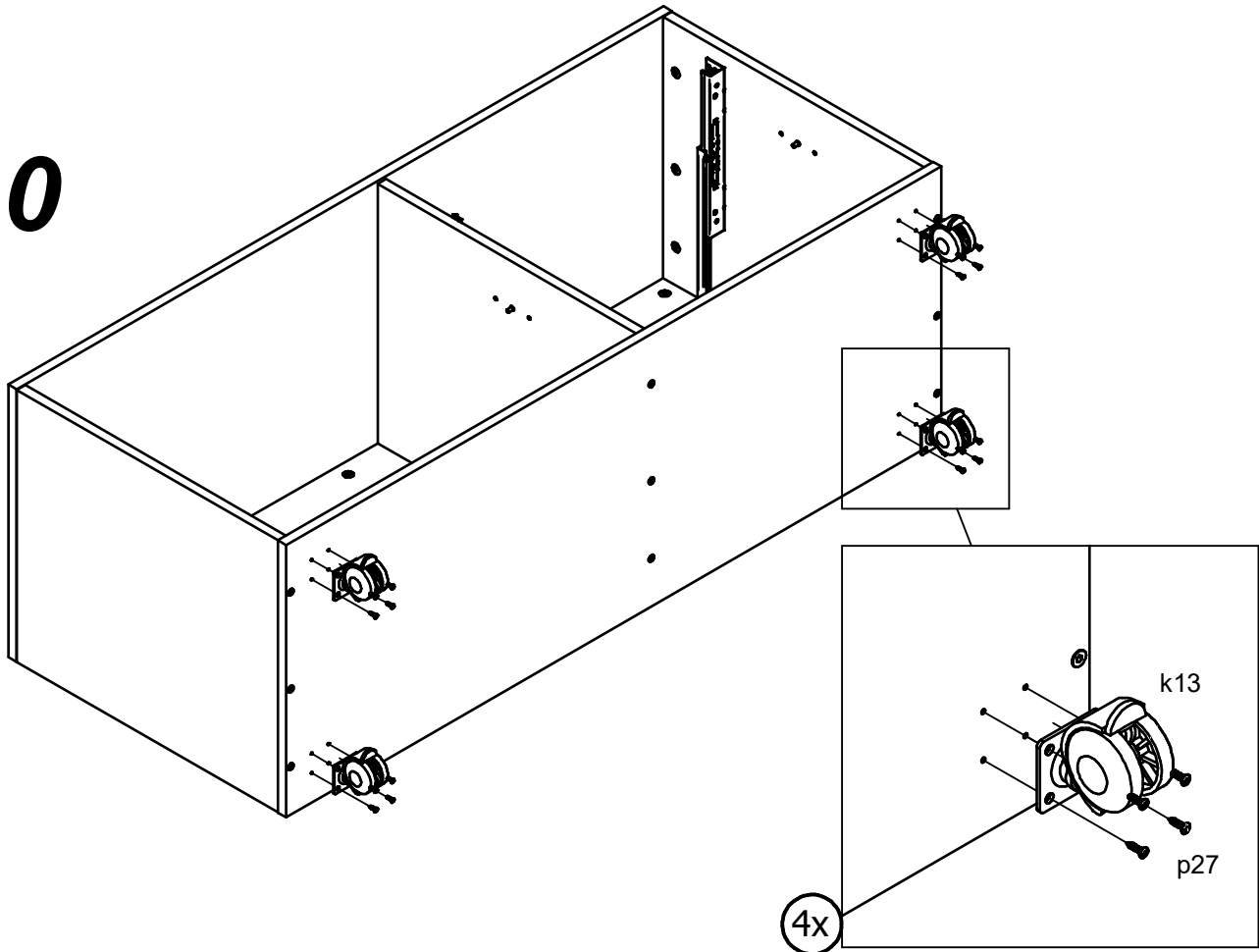


9

B



10



B

