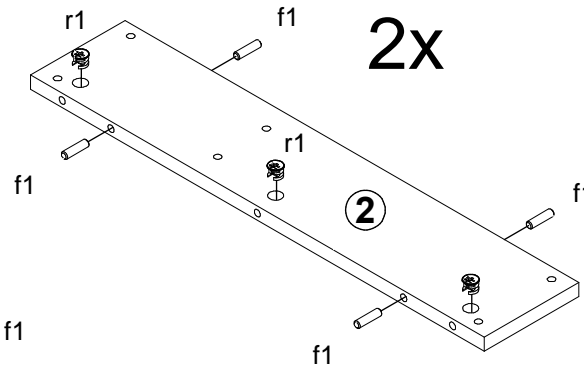
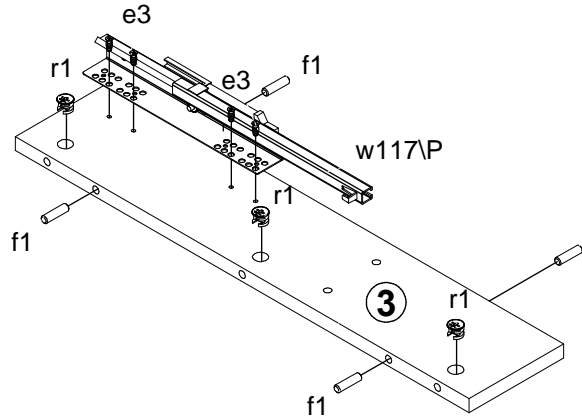
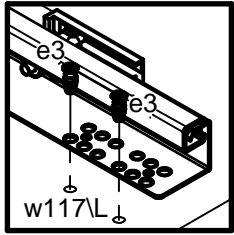


A	B	C1	C2	C3	D
1	S510-0057	484,	124	16	2/2
2	S510-1060	124	595	16	2/2
3	S510-1061	124,	595	16	2/2
4	S510-1062	124	371	16	2/2
5	S510-2056	1100	650	28	1/2
6	S510-3055	1046	595	18	2/2
7	S510-3056	1046	595	32	1/2
8	S510-4302	499,	124	16	2/2
9	S510-5062	420,	43	22	2/2
10	S510-5063	420,	43	22	2/2
11	S510-5064	420	65	22	2/2
12	WSP-9318	442	358	2,5	2/2
13	ZQ6-5111	432	62	15	2/2
14	ZQ6-527	350	75	12	2/2
15	ZQ6-528	350	75	12	2/2

2x c453	9x Ø7x50 mm e1	4x Ø2,9x16 mm p55	4x M4x22 mm j30	4x k1	16x Ø6x13 mm e3	36x Ø8x30 mm f1	8x Ø6,5x40 mm f25	10x Ø3,5x16 mm p38	9x Ø15x12 mm #16 r1	8x Ø12x10,5 mm #12 r15	29x 20/11 r42	2x 350 mm W117L
2x 350 mm W117P	1x z1	12x Ø15x15 mm #22 r3	8x Ø7x28 mm e22	4x s1	7x Ø16 s2	cm 0 1 2 3 4 5 6 7 8 9 10						

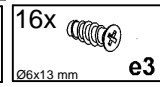
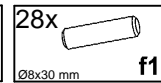
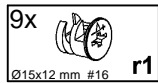
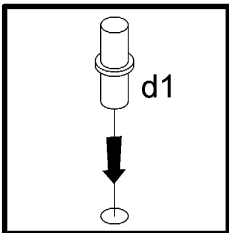
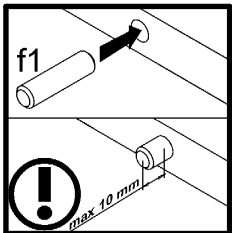
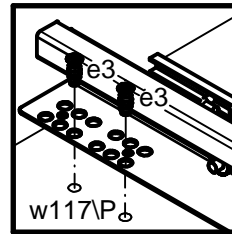
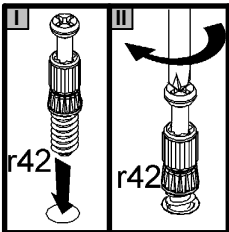
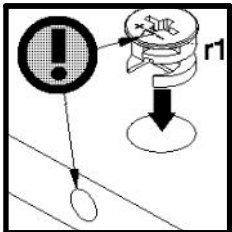
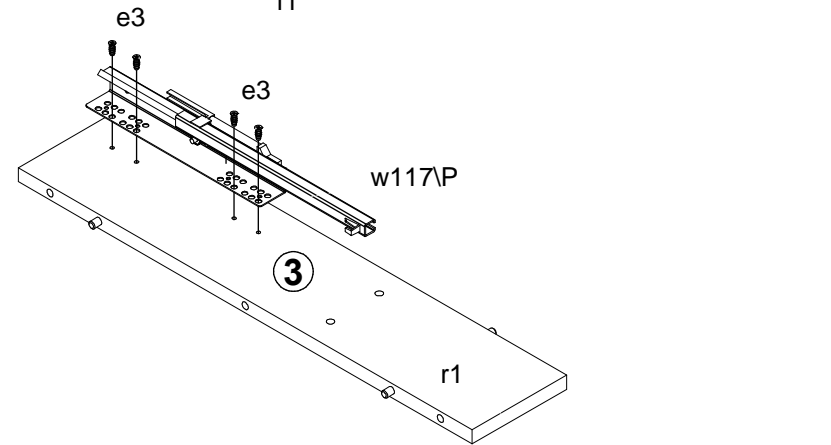
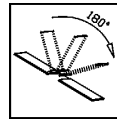
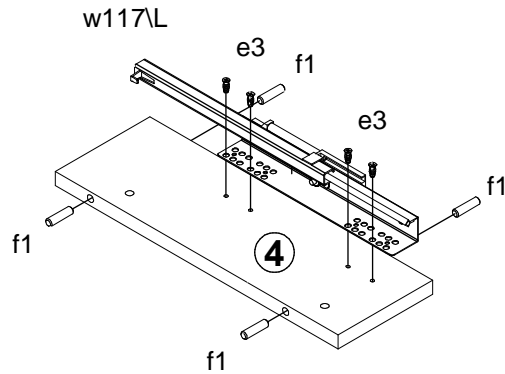
1



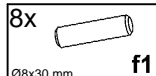
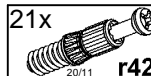
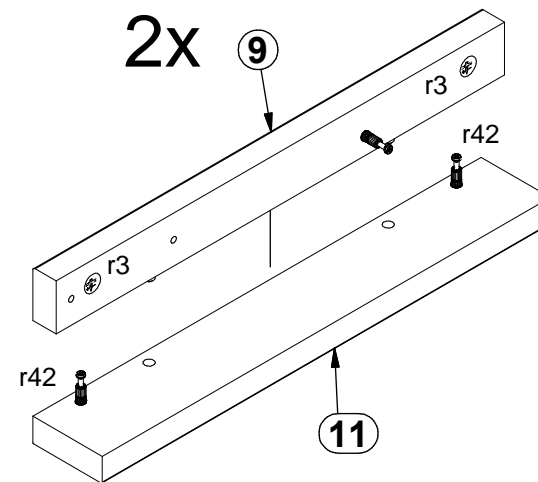
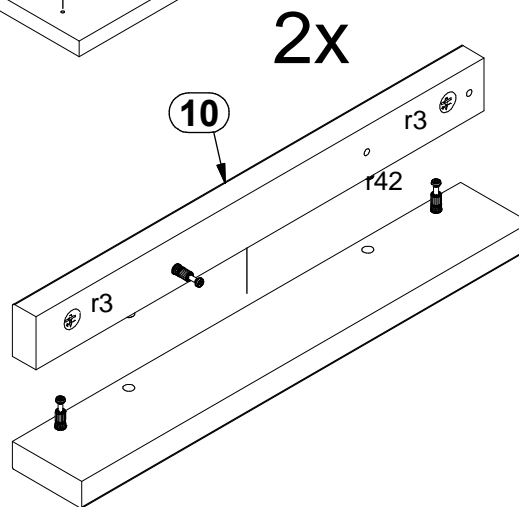
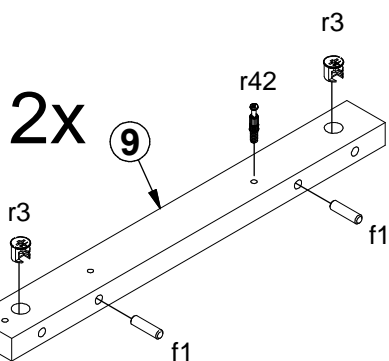
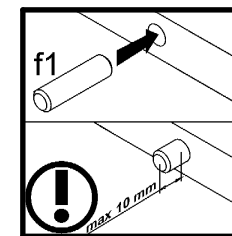
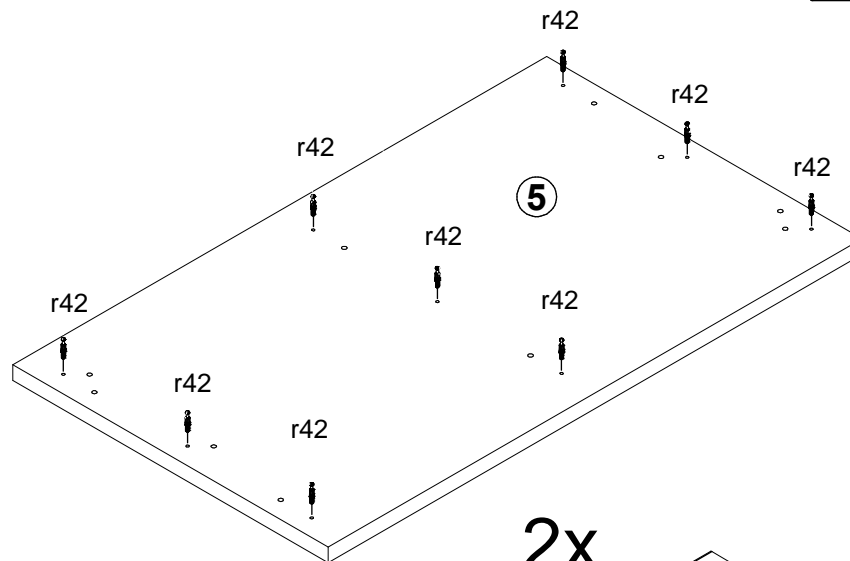
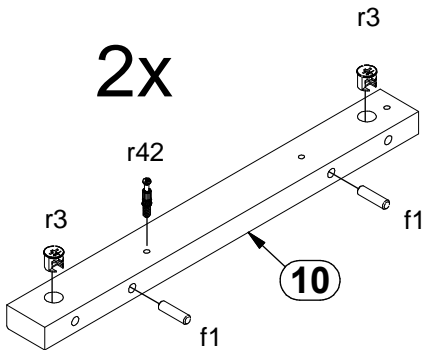
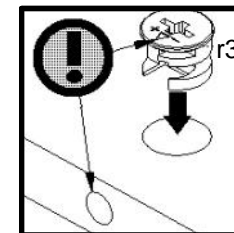
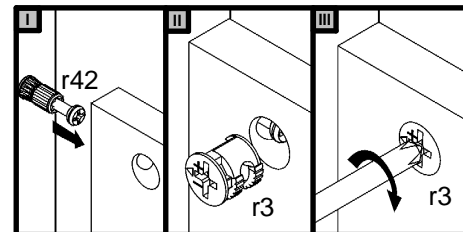
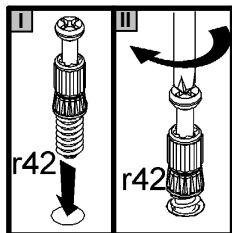
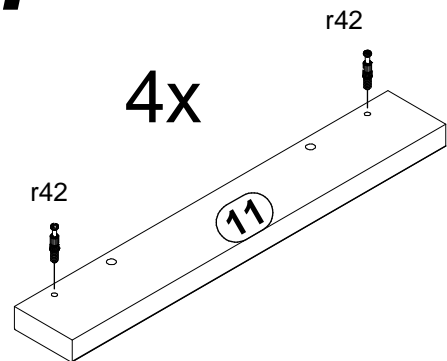
2x

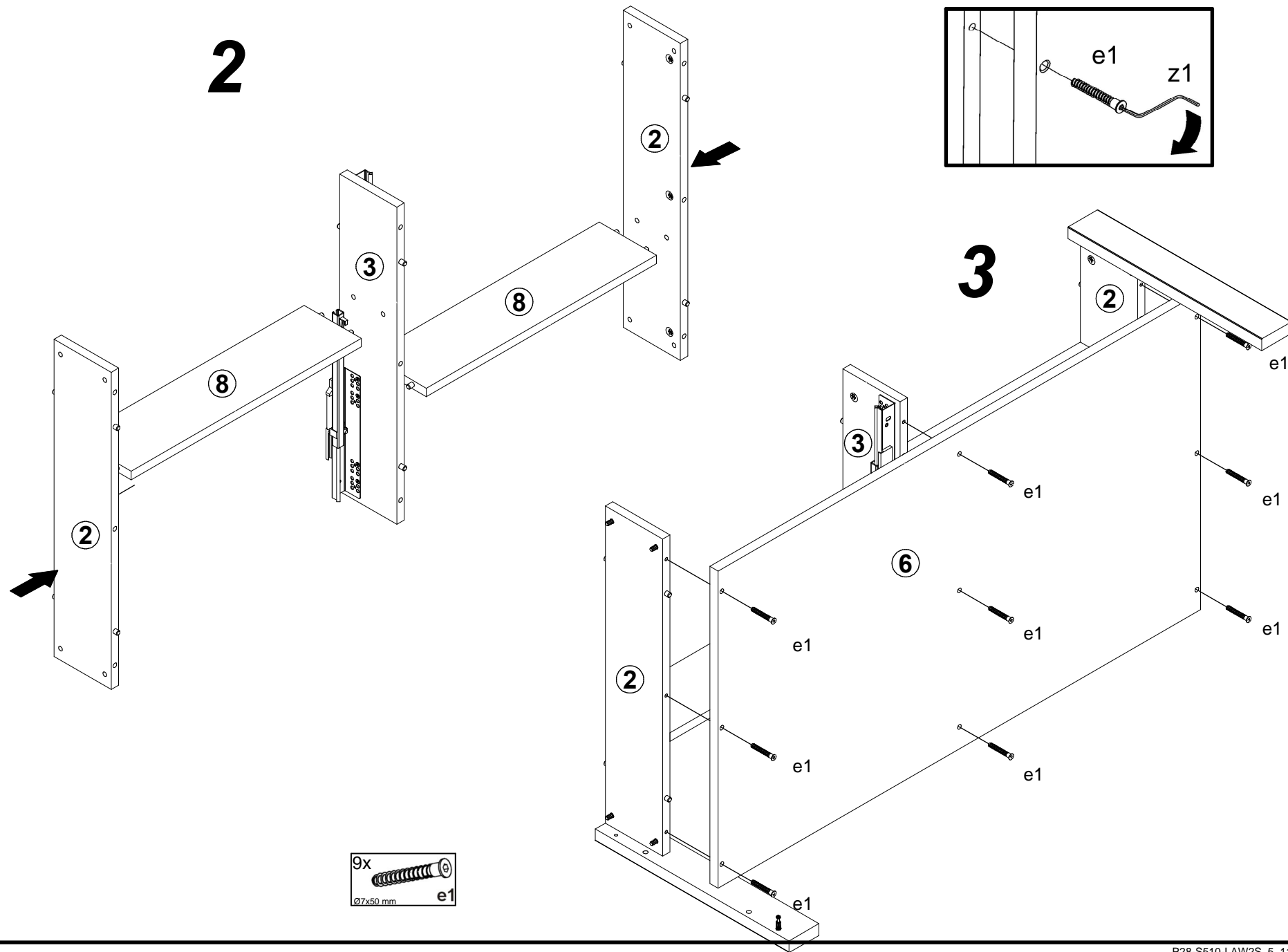
2x

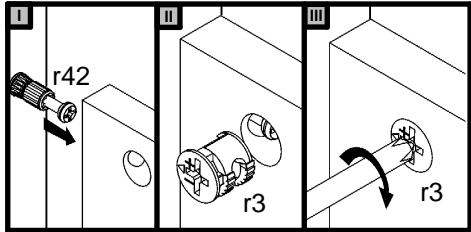
2x



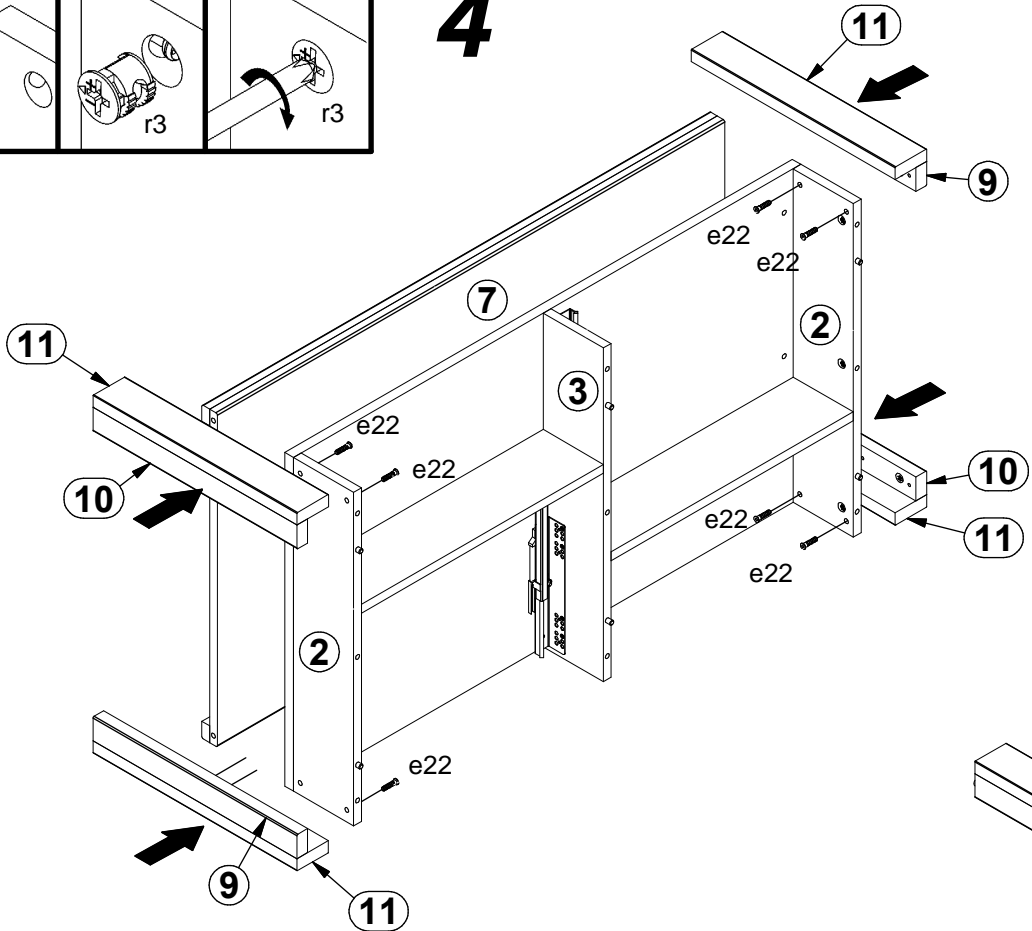
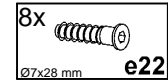
1



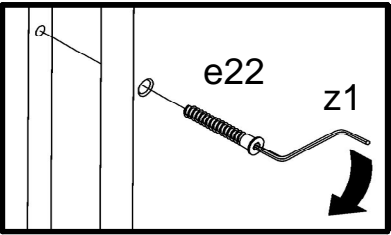
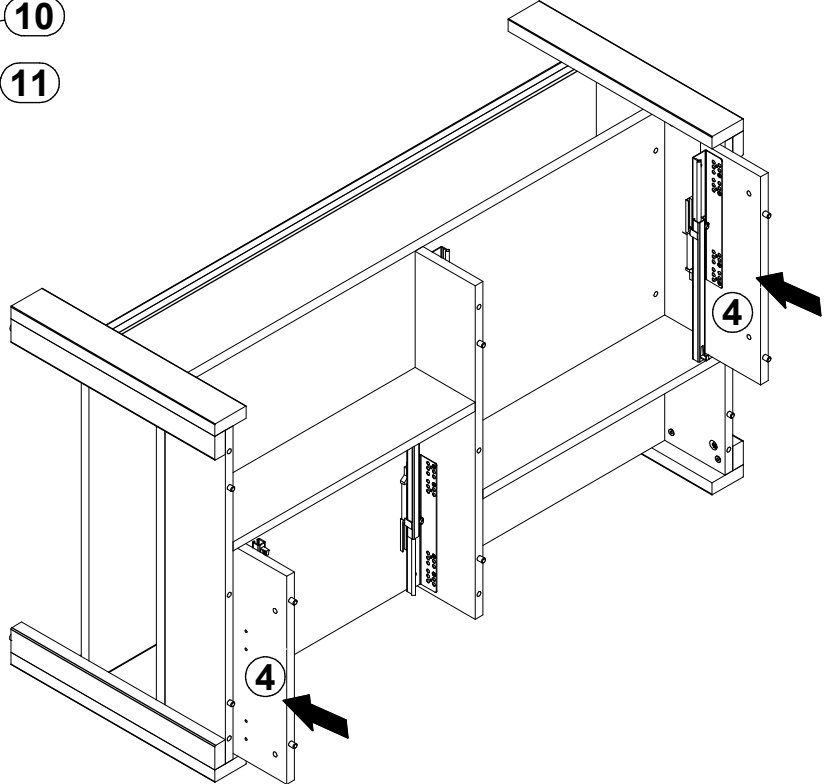




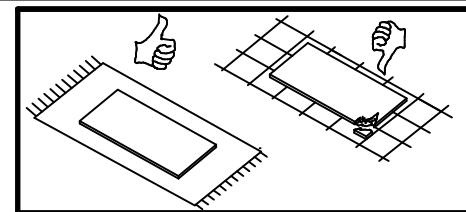
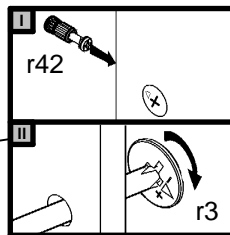
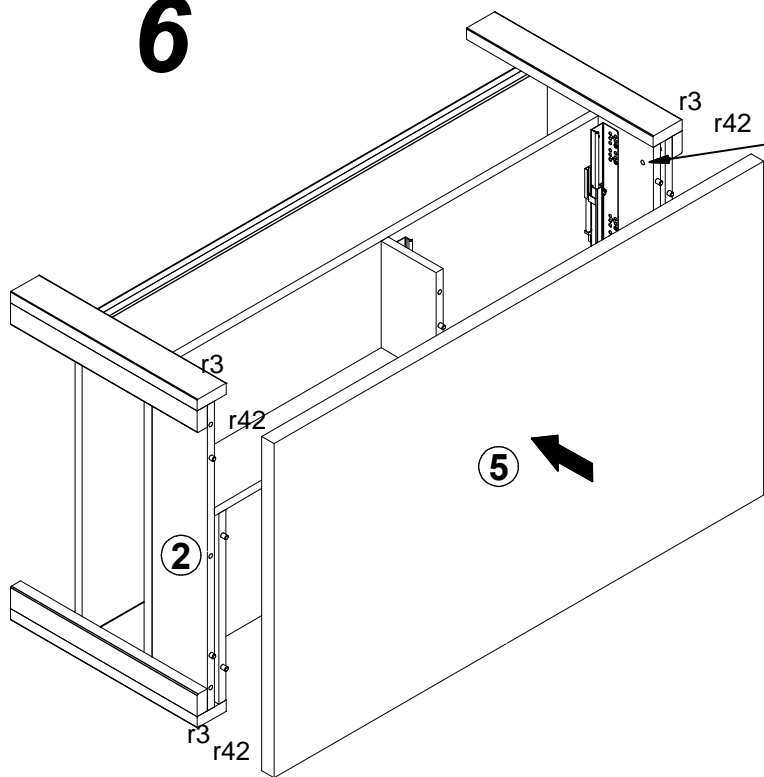
4



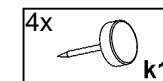
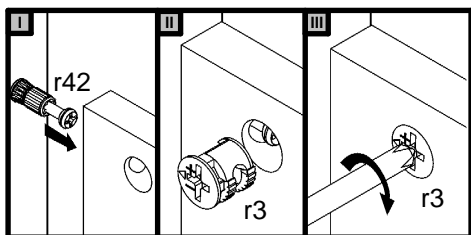
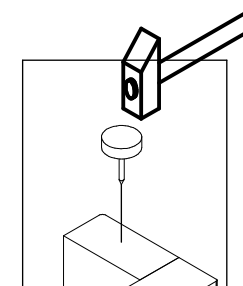
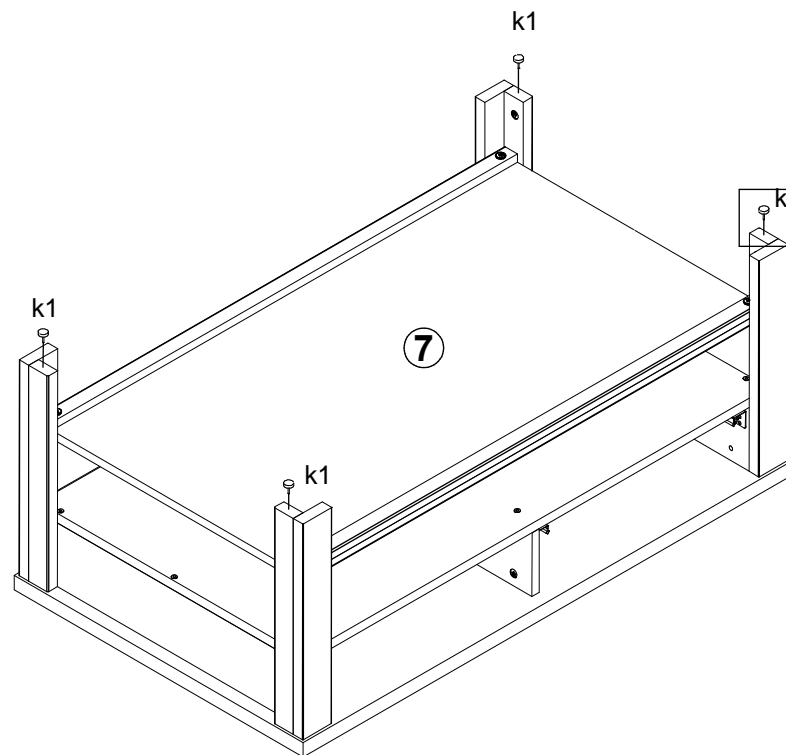
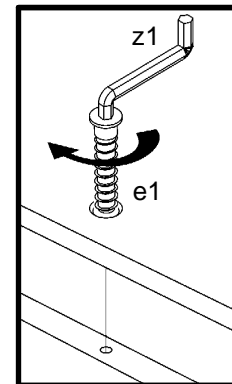
5



6



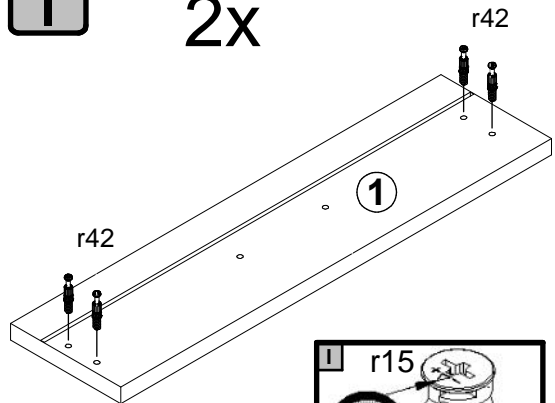
7





I

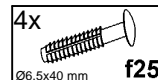
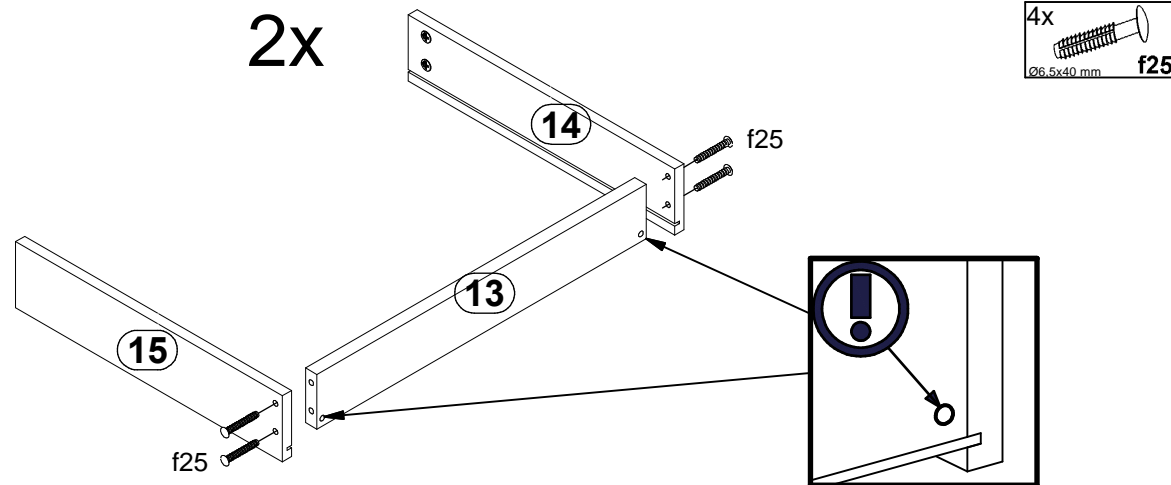
2x



8

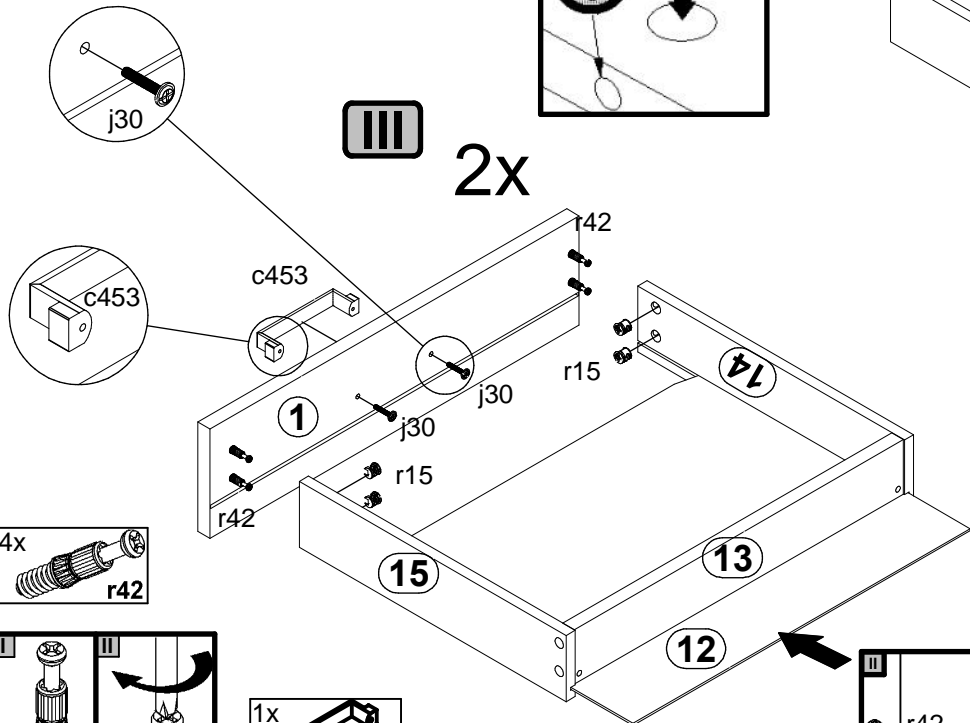
II

2x



III

2x



IV

2x

